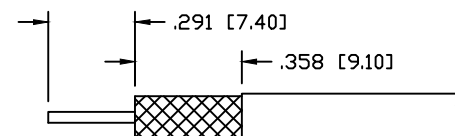
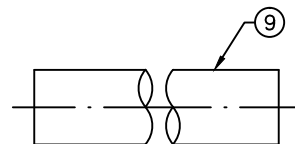
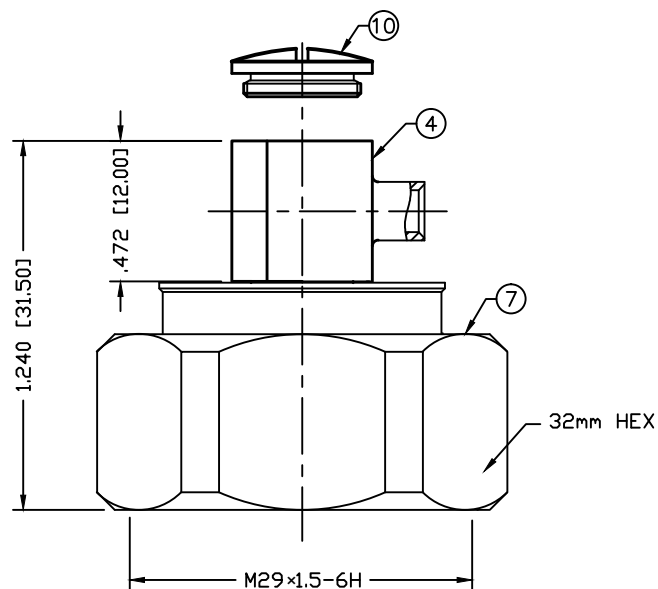


PART NO.

**RFD-1610-SR2**

REV	DESCRIPTION	DWN	DATE	APPROVED
-	ENGINEERING RELEASE	CZS	05/17/17	JDMc



RECOMMENDED STRIPPING DIMENSIONS

**SPECIFICATIONS:**

INTERFACE: IEC61169-16  
 IMPEDANCE: 50 OHMS  
 FREQUENCY RANGE: DC-6GHz  
 VSWR MAX: <1.15:1 @ DC-3 GHz  
 3rd ORDER IM: ≤-160 dBc  
 OPERATING TEMPERATURE: -55°C TO +165°C  
 FOR .141 SEMI RIGID, RG-402/U & BELDEN 1673A CABLE

#	DESCRIPTION	QTY	MATERIAL	FINISH
10	SCREW CAP	1	BRASS	WHITE BRONZE
9	TUBING	1	HEAT SHRINK	----
8	O-RING	1	RUBBER	----
7	SHELL	1	BRASS	WHITE BRONZE
6	INSULATOR	1	PTFE	----
5	O-RING	1	RUBBER	----
4	PRESS BODY	1	BRASS	WHITE BRONZE
3	PIN	1	BRASS	SILVER
2	INSULATOR	1	PTFE	----
1	BODY	1	BRASS	WHITE BRONZE

CUSTOMER  
OUTLINE DRAWINGALL DIMENSIONS  
ARE REFERENCE ONLYUNLESS OTHERWISE SPECIFIED:  
DIMENSIONS ARE IN INCHES  
AND [MILLIMETERS]DRAWN  
C. ZUNIGA 05/17/17  
CHECKEDORJ DRAWN  
C. ZUNIGA 05/17/17**RoHS  
COMPLIANT**

PROPRIETARY AND CONFIDENTIAL  
 THIS DRAWING CONTAINS  
 INFORMATION PROPRIETARY TO  
 RF INDUSTRIES. ANY  
 UNAUTHORIZED USE OF THIS  
 DRAWING IS EXPRESSLY  
 PROHIBITED WITHOUT WRITTEN  
 PERMISSION FROM RF  
 INDUSTRIES. ANY VIOLATION IS  
 PUNISHABLE UNDER U.S.  
 COPYRIGHT LAWS.

**RFconnectors**

RFINDUSTRIES.COM  
 7610 MIRAMAR RD.  
 SAN DIEGO, CA 92126  
 (858) 549-6340  
 DIVISION OF RF INDUSTRIES, LTD. (858) 549-6345 FAX

**7/16 DIN MALE**  
 RIGHT ANGLE FOR .141" CABLE

SIZE	CABLE GROUP	DWG NO.	REV
A	SR2	<b>RFD-1610-SR2</b>	—
SCALE:	ENGINEERING ID:	SHEET 1 OF 1	
NTS	001787		