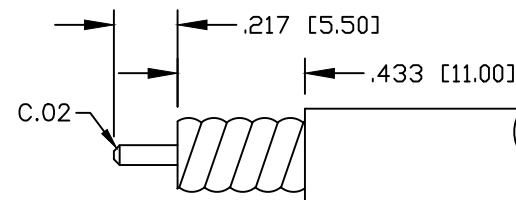
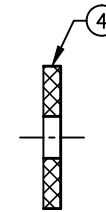
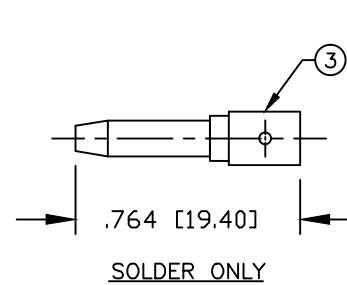
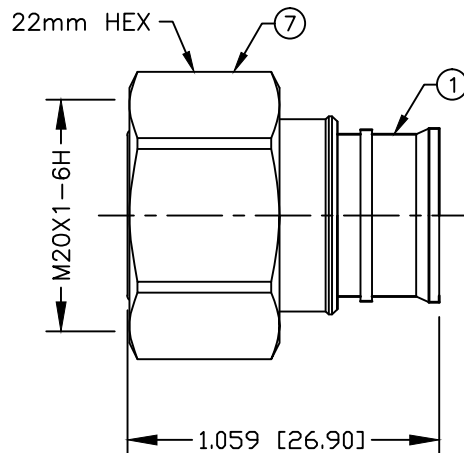


PART NO.

RFD-43MDS-H4

REV	DESCRIPTION	DWN	DATE	APPROVED
A	ADDED TRIM TOOL NOTE	CZS	07/19/19	JDMc

RECOMMENDED STRIPING DIMENSIONSUSE OF CABLE TRIM TOOL IS RECOMMENDEDUSE COMPATIBLE TRIM TOOL SUCH AS TRIM-SET-S12-D01SPECIFICATIONS:

INTERFACE: IEC61169-54
 IMPEDANCE: 50 Ohms
 FREQUENCY RANGE: 0-6 GHz
 VSWR: <1.15:1 THRU 3 GHz
 PIM: ≤-160 dBc
 INSULATION RESISTANCE: 5000MΩ
 TEMPERATURE RANGE: -55°C TO 165°C
 MECHANICAL DURABILITY: 500 CYCLES
 FOR FSJ4-50B, SCF12-50J, SPF & SPO-500 CABLE

CUSTOMER
OUTLINE DRAWINGALL DIMENSIONS
ARE REFERENCE ONLYUNLESS OTHERWISE SPECIFIED:
DIMENSIONS ARE IN INCHES
AND [MILLIMETERS]DRAWN
C. ZUNIGA 07/19/19

CHECKED

ORJ DRAWN
C. ZUNIGA 11/02/18**RoHS
COMPLIANT**

PROPRIETARY AND CONFIDENTIAL
 THIS DRAWING CONTAINS
 INFORMATION PROPRIETARY TO
 RF INDUSTRIES. ANY
 UNAUTHORIZED USE OF THIS
 DRAWING IS EXPRESSLY
 PROHIBITED WITHOUT WRITTEN
 PERMISSION FROM RF
 INDUSTRIES. ANY VIOLATION IS
 PUNISHABLE UNDER U.S.
 COPYRIGHT LAWS.

RFconnectors

DIVISION OF RF INDUSTRIES, LTD. (858) 549-6345 FAX

RFINDUSTRIES.COM
7610 MIRAMAR RD.
SAN DIEGO, CA 92126
(858) 549-6340
(858) 549-6345 FAX**4.3/10 MALE, SOLDER**

FOR 1/2" SUPERFLEX CABLE

CABLE GROUP
H4DWG #
RFD-43MDS-H4REVISION
AFORMAT
ASCALE
NTSCONTROL #
N/A

SHEET 1 OF 1

#	DESCRIPTION	QTY	MATERIAL	FINISH
7	SHELL	1	BRASS	WHITE BRONZE
6	RETAINING RING	1	BRASS	WHITE BRONZE
5	GASKET	1	RUBBER	---
4	SPACER	1	PTFE	---
3	PIN	1	BRASS	SILVER
2	INSULATOR	1	PTFE	---
1	BODY	1	BRASS	WHITE BRONZE