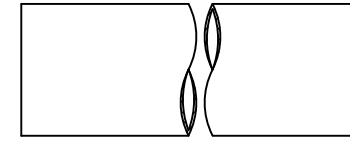
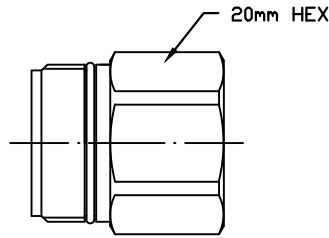
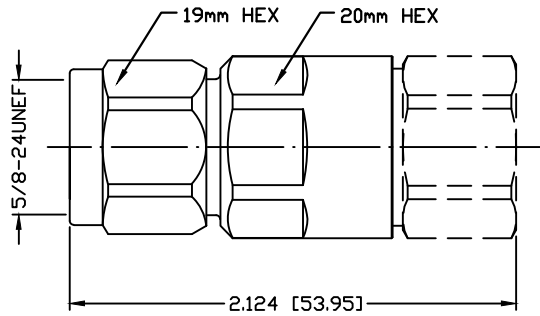
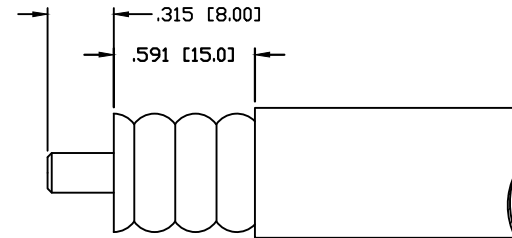


PART NO.		RFN-1002C-H1		
REV	DESCRIPTION	DWN	DATE	APPROVED
B	UPDATED TRIM TOOL P/N	CZS	07/19/19	JDMc



(NTS)



RECOMMENDED STRIPING DIMENSIONS

USE OF CABLE TRIM TOOL IS RECOMMENDED
USE COMPATIBLE TRIM TOOL SUCH AS TRIM-SET-C02

SPECIFICATIONS:

IMPEDANCE: 50 Ohms
 FREQUENCY RANGE: DC-3GHz GHZ
 VSWR AVERAGE: <1:1.15
 PIM: <-155 dBc
 TEMPERATURE RANGE: -55°C TO 165°C
 FOR LCF12-50JFN, LDF4-50A, ICA12-50JPL, PD353784 & SPF CABLE

12	TUBING	1	HEAT SHRINK	---
11	CLAMP	1	BRASS	WHITE BRONZE
10	O-RING	1	RUBBER	---
9	RETAINING RING	1	BRASS	WHITE BRONZE
8	SHELL	1	BRASS	WHITE BRONZE
7	BACK NUT	1	BRASS	WHITE BRONZE
6	COLLET RING	1	Be,Cu.	WHITE BRONZE
5	GASKET	1	RUBBER	---
4	INSULATOR	1	PTFE	---
3	PIN	1	BRASS	SILVER
2	INSULATOR	1	PTFE	---
1	BODY	1	BRASS	WHITE BRONZE
#	DESCRIPTION	QTY	MATERIAL	FINISH

CUSTOMER OUTLINE DRAWING	
ALL DIMENSIONS ARE REFERENCE ONLY	
UNLESS OTHERWISE SPECIFIED: DIMENSIONS ARE IN INCHES AND [MILLIMETERS]	
DRAWN C. ZUNIGA	07/19/19
CHECKED	
ORJ DRAWN C. ZUNIGA	11/17/15

RoHS COMPLIANT

PROPRIETARY AND CONFIDENTIAL
 THIS DRAWING CONTAINS INFORMATION PROPRIETARY TO RF INDUSTRIES. ANY UNAUTHORIZED USE OF THIS DRAWING IS EXPRESSLY PROHIBITED WITHOUT WRITTEN PERMISSION FROM RF INDUSTRIES. ANY VIOLATION IS PUNISHABLE UNDER U.S. COPYRIGHT LAWS.

RFconnectors
 DIVISION OF RF INDUSTRIES, LTD. (858) 549-6345 FAX
 7610 MIRAMAR RD. SAN DIEGO, CA 92126 (858) 549-6340

N MALE CAPTIVATED CLAMP			
FOR 1/2" FLEXIBLE CORRUGATED CABLE			
SIZE A	CABLE GROUP H1	DWG NO. RFN-1002C-H1	REVISION B
SCALE: NTS	ENGINEERING ID: 001787	SHEET 1 OF 1	