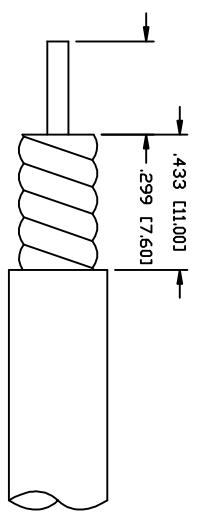
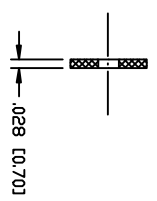
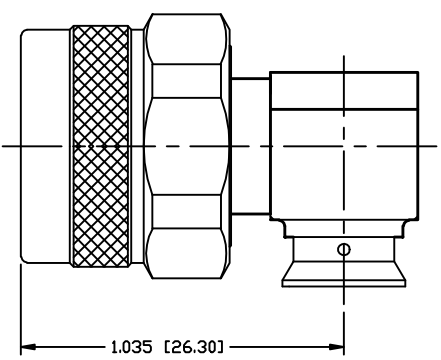
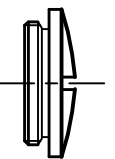


PART NO.		RFN-1009-HPL	
REV	DESCRIPTION	DWN	DATE
—	ENGINEERING RELEASE	CZS	03/09/15
		JDM	APPROVED



TIMES MICROWAVE CABLE: SPP-250-LLP


SPECIFICATIONS:

IMPEDANCE: 50 Ohms
 FREQUENCY RANGE: 0-6 GHz
 VSWR: <1.15:1 THRU 3GHz
 PIM: <-155 dBc
 DIELECTRIC WITHSTANDING VOLTAGE: 1500V/AC
 INSULATION RESISTANCE: 5000 Mega Ohms
 TEMPERATURE RANGE: -40°C TO 155°C
 MECHANICAL DURABILITY: 500 CYCLES
 ROHS COMPLIANT
 TIMES MICROWAVE CABLE: SPP-250-LLP

#	DESCRIPTION	QTY	MATERIAL	FINISH
9	COUPLING NUT	1	BRASS	WHITE BRONZE
8	END CAP	1	BRASS	WHITE BRONZE
7	GASKET	1	SILICONE	---
6	RETAINING RING	1	BeCu	WHITE BRONZE
5	SPACER DISC	1	PTFE	---
4	SOLDER BODY	1	BRASS	WHITE BRONZE
3	PIN	1	BRASS	SILVER
2	INSULATOR	1	PTFE	---
1	BODY	1	BRASS	WHITE BRONZE

CUSTOMER OUTLINE DRAWING	ALL DIMENSIONS ARE REFERENCE ONLY
UNLESS OTHERWISE SPECIFIED: DIMENSIONS ARE IN INCHES AND [MILLIMETERS]	9/9/15
DESIGNED BY JDM	CHECKED BY JDM
DRAWN BY C. ZUNIGA	DATE 03/09/15

PROPRIETARY AND CONFIDENTIAL
 THIS DRAWING CONTAINS
 INFORMATION PROPRIETARY TO
 RF INDUSTRIES. ANY
 UNAUTHORIZED USE OF THIS
 DRAWING IS EXPRESSLY
 PROHIBITED WITHOUT WRITTEN
 PERMISSION FROM RF
 INDUSTRIES. ANY VIOLATION IS
 PUNISHABLE UNDER U.S.
 COPYRIGHT LAWS.



RF Industries
 DIVISION OF RF INDUSTRIES, LTD. (858) 549-6345 FAX

7610 MIRAMAR RD.
 SAN DIEGO, CA 92126
 (858) 549-6340

N PLUG, 90°

DIRECT SOLDER FOR SPP-250-LLP

SIZE	CABLE GROUP	DWG NO.	REV
A	N/A	RFN-1009-HPL	—

SCALE: NTS ENGINEERING ID: 1787 SHEET 1 OF 1