

PART NO.

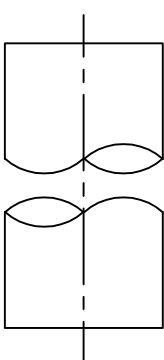
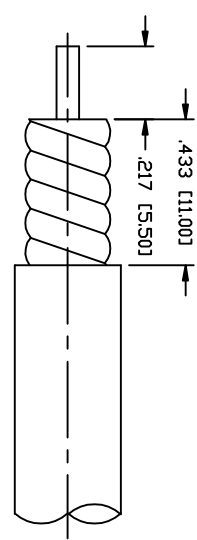
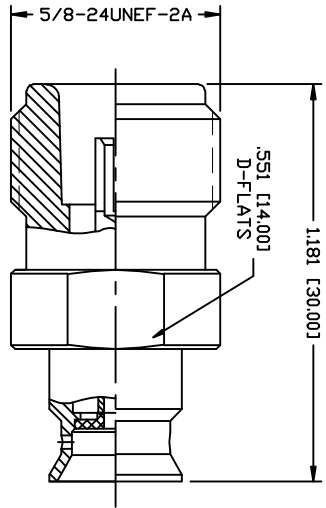
RFN-1027-HPL

REV DESCRIPTION

— ENGINEERING RELEASE

DWN DATE APPROVED

CZS 03/24/15 JDMc



SPECIFICATIONS:

IMPEDANCE: 50 Ohms
 FREQUENCY RANGE: 0-6GHz
 VSWR TYPICAL: <1.1:1 TO 3GHz
 P1M 3RD ORDER: <-155 dbc
 DIELECTRIC WITHSTANDING VOLTAGE: 1500V/AC
 INSULATION RESISTANCE: 5000 MOHMS
 TEMPERATURE RANGE: -40°C TO 165°C
 ROHS COMPLIANT

#	DESCRIPTION	QTY	MATERIAL	FINISH
5	TUBING	1	HEAT SHRINK	---
4	INSULATOR	1	PTFE	---
3	CONTACT	1	Be.Cu.	SILVER
2	INSULATOR	1	PTFE	---
1	BODY	1	BRASS	WHITE BRONZE

CUSTOMER
 OUTLINE DRAWING
 ALL DIMENSIONS
 ARE REFERENCE ONLY
 UNLESS OTHERWISE SPECIFIED:
 DIMENSIONS ARE IN INCHES
 AND [MILLIMETERS]

DESIGN
 JDM
 CHECKED
 C. ZUNIGA
 03/24/15

PROPRIETARY AND CONFIDENTIAL
 THIS DRAWING CONTAINS
 INFORMATION PROPRIETARY TO
 RF INDUSTRIES. ANY
 UNAUTHORIZED USE OF THIS
 DRAWING IS EXPRESSLY
 PROHIBITED WITHOUT WRITTEN
 PERMISSION FROM RF
 INDUSTRIES. ANY VIOLATION IS
 PUNISHABLE UNDER U.S.
 COPYRIGHT LAWS.

RF Industries
 DIVISION OF RF INDUSTRIES, LTD. (858) 549-6346 FAX
 7610 MIRAMAR RD.
 SAN DIEGO, CA 92126
 (858) 549-6340

N FEMALE

SOLDER/SOLDER FOR SPP-250-LLPL

SIZE: A
 CABLE GROUP: N/A
 DWG NO.: **RFN-1027-HPL**
 SCALE: NTS
 ENGINEERING ID: 1787
 SHEET 1 OF 1