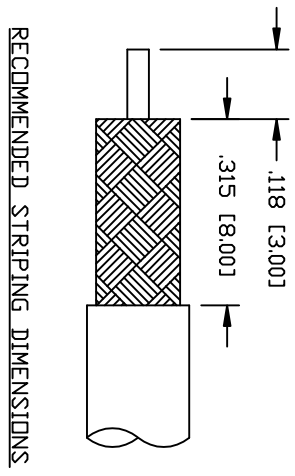
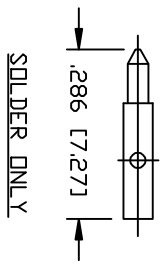
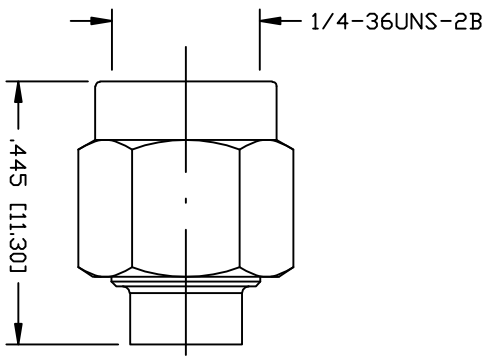


PART NO. **RSA-3500-SR2LP**

REV	DESCRIPTION	DWN	DATE	APPROVED
B	CHANGED PIN PLATING		CZS 01/27/17	JDMc



SPECIFICATIONS:

IMPEDANCE: 50 Ohms
 FREQUENCY RANGE: 0-12.4 GHz
 VSWR: 1.3 MAX.
 3RD ORDER IM: S155dBc @ 700 MHz
 INSULATION RESISTANCE: 5k M Ohms min.
 TEMPERATURE RANGE: -65°C TO 165°C
 FOR .141 SEMI RIGID, RG-402/U & BELDEN 1673A CABLE
 FOR LOW PIM APPLICATIONS USE TFT-402 CABLE

1	BODY	1	BRASS	WHITE BRONZE
2	RETAINING RING	1	BRASS	WHITE BRONZE
3	INSULATOR	1	PTFE	---
4	SHELL	1	BRASS	WHITE BRONZE
5	PIN	1	BRASS	SILVER
6	GASKET	1	SI RUBBER	---
#	DESCRIPTION	QTY	MATERIAL	FINISH

CUSTOMER
 OUTLINE DRAWING
 ALL DIMENSIONS
 ARE REFERENCE ONLY
 UNLESS OTHERWISE SPECIFIED:
 DIMENSIONS ARE IN INCHES
 AND [MILLIMETERS]

DESIGN
 C. ZUNIGA
 CHECKED
 C. ZUNIGA
 01/27/17
 12/15/15

R O H S
COMPLIANT

PROPRIETARY AND CONFIDENTIAL
 THIS DRAWING CONTAINS
 INFORMATION PROPRIETARY TO
 RF INDUSTRIES. ANY
 UNAUTHORIZED USE OF THIS
 DRAWING IS EXPRESSLY
 PROHIBITED WITHOUT WRITTEN
 PERMISSION FROM RF
 INDUSTRIES. ANY VIOLATION IS
 PUNISHABLE UNDER U.S.
 COPYRIGHT LAWS.

RF Industries
 DIVISION OF RF INDUSTRIES, LTD.
 7610 MIRAMAR RD.
 SAN DIEGO, CA 92126
 (858) 549-6340
 (858) 549-6346 FAX

SMA PLUG, SOLDER

SIZE: CABLE GROUP: DWG NO. REV/
 A SR2 RSA-3500-SR2LP B
 SCALE: NTS ENGINEERING ID: 000000 SHEET 1 OF 1