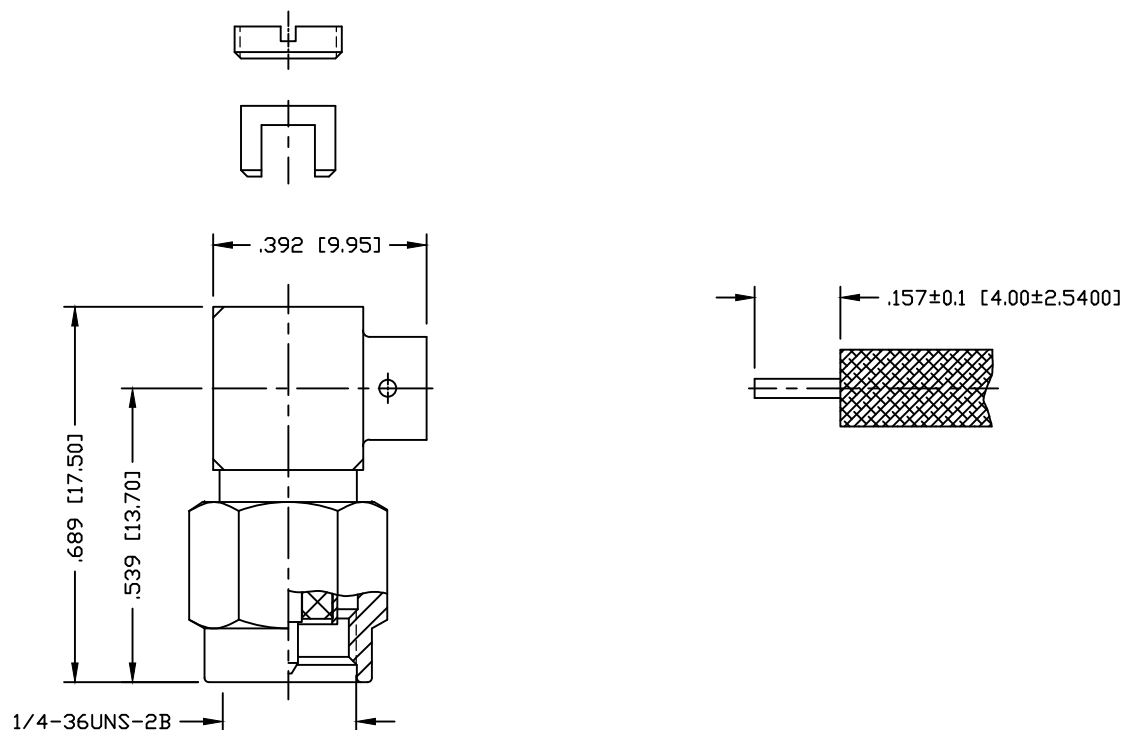


PART NO.

RSA-3510-SR2LP

REV	DESCRIPTION	DWN	DATE	APPROVED
-	ENGINEERING RELEASE	JDM	03/18/15	JDMc

**SPECIFICATIONS:**

IMPEDANCE: 50 Ohms
 FREQUENCY RANGE: 0-6 GHz
 VSWR: <1.15:1 THRU 3GHz
 PIM: <-155 dBc
 DIELECTRIC WITHSTANDING VOLTAGE: 750V/AC
 INSULATION RESISTANCE: 5000 M OHMS
 TEMPERATURE RANGE: -40°C TO 155°C
 MECHANICAL DURABILITY: 500 CYCLES
 FOR .141 SEMI RIGID, RG-402/U, BELDEN 1673A CABLE & TFT-402

#	DESCRIPTION	QTY	MATERIAL	FINISH
9	SHELL	1	BRASS	WHITE BRONZE
8	GASKET	1	RUBBER	---
7	INSERT	1	PTFE	---
6	SCREW CAP	1	BRASS	WHITE BRONZE
5	RETAINING RING	1	Be.Cu.	WHITE BRONZE
4	INSULATOR	1	PTFE	---
3	PIN	1	BRASS	SILVER
2	INSULATOR	1	PTFE	---
1	BODY	1	BRASS	WHITE BRONZE

CUSTOMER
OUTLINE DRAWINGALL DIMENSIONS
ARE REFERENCE ONLYUNLESS OTHERWISE SPECIFIED:
DIMENSIONS ARE IN INCHES
AND [MILLIMETERS]

DRAWN	JDM	03/18/15
CHECKED		
ORJ DRAWN	C. ZUNIGA	03/18/15

**RoHS
COMPLIANT**

PROPRIETARY AND CONFIDENTIAL
 THIS DRAWING CONTAINS
 INFORMATION PROPRIETARY TO
 RF INDUSTRIES, ANY
 UNAUTHORIZED USE OF THIS
 DRAWING IS EXPRESSLY
 PROHIBITED WITHOUT WRITTEN
 PERMISSION FROM RF
 INDUSTRIES. ANY VIOLATION IS
 PUNISHABLE UNDER U.S.
 COPYRIGHT LAWS.

RFconnectors
 DIVISION OF RF INDUSTRIES, LTD. (858) 549-6345 FAX
 7610 MIRAMAR RD.
 SAN DIEGO, CA 92126
 (858) 549-6340

SMA PLUG, SOLDER
 RIGHT ANGLE

SIZE	CABLE GROUP	DWG NO.	REV
A	SR2	RSA-3510-SR2LP	---
SCALE:	ENGINEERING ID:	1787	SHEET 1 OF 1
NTS			