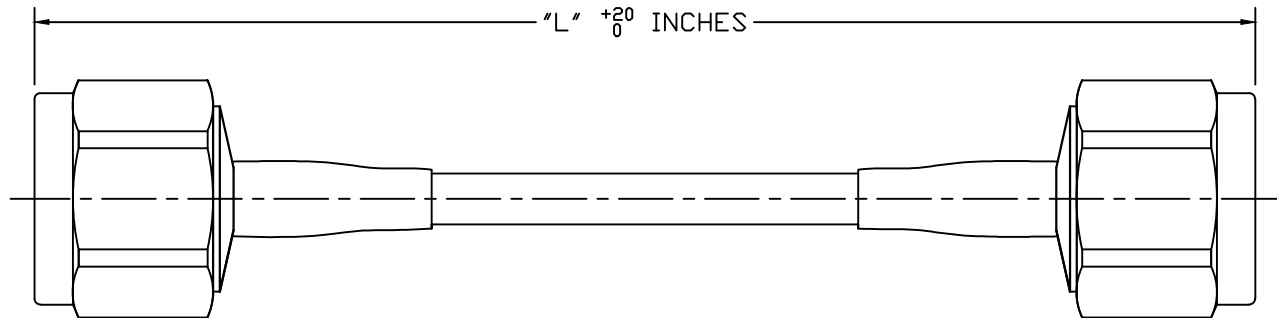


PART NO.		<b>P2RFC-2000-XX</b>		
REV	DESCRIPTION	DWN	DATE	APPROVED
-	ENGINEERING RELEASE	CZS	11/18/13	JDMc



P2RFC-2000-XX  
 [“L”] LENGTH IN INCHES  
 SPECIFIC PART NUMBER  
 CABLE ASSEMBLY DESIGNATOR

STANDARD CABLE LENGTHS [“L”]:  
 -12 [1 FOOT]  
 -24 [2 FEET]  
 -36 [3 FEET]  
 -48 [4 FEET]  
 -60 [5 FEET]  
 -72 [6 FEET]

CABLE LENGTHS [“L”]:  
 -144 [12 FOOT]  
 -180 [15 FEET]  
 -216 [18 FEET]  
 -300 [25 FEET]  
 -600 [50 FEET]  
 -900 [75 FEET]  
 -1200 [100 FEET]  
 -1800 [150 FEET]

**SPECIFICATIONS:**

IMPEDANCE: 50 Ohms  
 FREQUENCY RANGE: 0-3 GHz  
 VSWR: ≤1.15 (0-3GHz)  
 3rd ORDER INTERMODULATION: <-155dBc  
 TEMPERATURE RANGE: -55°C TO 125°C  
 INSULATION RESISTANCE: 5k M Ohms min.

CUSTOMER OUTLINE DRAWING	
ALL DIMENSIONS ARE REFERENCE ONLY	
UNLESS OTHERWISE SPECIFIED: DIMENSIONS ARE IN INCHES AND [MILLIMETERS]	
DRAWN C. ZUNIGA	11/18/13
CHECKED	
ORJ DRAWN C. ZUNIGA	11/18/13

**RoHS COMPLIANT**

PROPRIETARY AND CONFIDENTIAL  
 THIS DRAWING CONTAINS INFORMATION PROPRIETARY TO RF INDUSTRIES. ANY UNAUTHORIZED USE OF THIS DRAWING IS EXPRESSLY PROHIBITED WITHOUT WRITTEN PERMISSION FROM RF INDUSTRIES. ANY VIOLATION IS PUNISHABLE UNDER U.S. COPYRIGHT LAWS.

**RFconnectors** 7610 MIRAMAR RD. SAN DIEGO, CA 92126 (858) 549-6340  
 DIVISION OF RF INDUSTRIES, LTD. (858) 549-6345 FAX

**N PLUG TO N PLUG**

SIZE A	CABLE GROUP N/A	DWG NO. <b>P2RFC-2000-XX</b>	REV —
SCALE: NTS	ENGINEERING ID: 1787	SHEET 1 OF 1	

3	CABLE	1	FLEX SEMI-RIGID .141	BLUE
2	TUBING	2	HEAT SHRINK	---
1	N PLUG	2	N PLUG	WHITE BRONZE
#	PART NUMBER	QTY	DESCRIPTION	FINISH