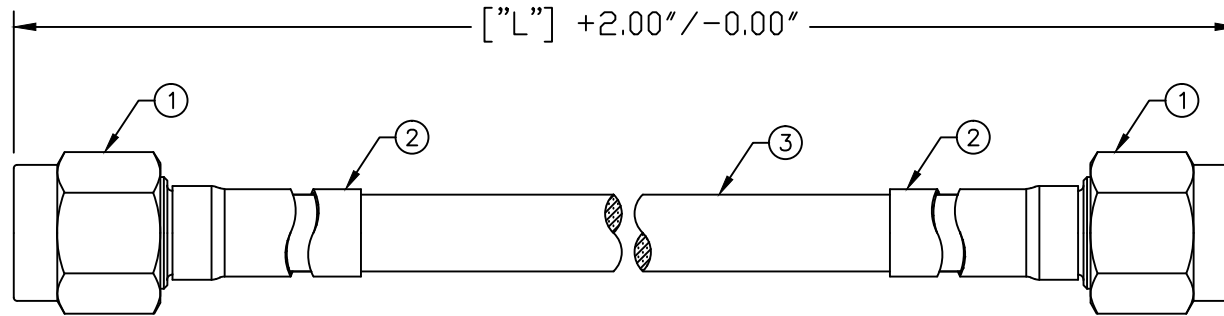


PART NO.		<b>P2RFC-2067-XX</b>		
REV	DESCRIPTION	DWN	DATE	APPROVED
-	ENGINEERING RELEASE	CZS	10/10/16	JDMc



P2RFC-2067-XX  
 [\"L\"] LENGTH IN INCHES  
 CONFIGURATION ID  
 CABLE ASSEMBLY DESIGNATOR

**SPECIFICATIONS:**

IMPEDANCE: 50 Ohms  
 FREQUENCY RANGE: 0-6 GHz  
 3RD ORDER IM:  $\leq -155$  dBc @ 700MHz & 1900MHz  
 3RD ORDER IM TEST METHOD: 2x43dBm CARRIERS  
 VSWR:  $\leq 1.15:1$  THRU 3GHz

NOTE: BOTH CONNECTORS WILL HAVE PROTECTIVE CAPS ON

3	TFT-402-LF	1	PLENUM CABLE	---
2	TUBING	2	HEAT SHRINK	---
1	RSA-3500-SR2LP	2	SMA MALE	WHITE BRONZE
#	PART NUMBER	QTY	DESCRIPTION	FINISH

CUSTOMER OUTLINE DRAWING	
ALL DIMENSIONS ARE REFERENCE ONLY	
UNLESS OTHERWISE SPECIFIED: DIMENSIONS ARE IN INCHES AND [MILLIMETERS]	
DRAWN C. ZUNIGA	10/10/16
CHECKED	
ORJ DRAWN C. ZUNIGA	10/10/16

PROPRIETARY AND CONFIDENTIAL

THIS DRAWING CONTAINS INFORMATION PROPRIETARY TO RF INDUSTRIES; ANY UNAUTHORIZED USE OF THIS DRAWING IS EXPRESSLY PROHIBITED WITHOUT WRITTEN PERMISSION FROM RF INDUSTRIES. ANY VIOLATION IS PUNISHABLE UNDER U.S. COPYRIGHT LAWS.

**RFconnectors**  
 DIVISION OF RF INDUSTRIES, LTD.

7610 MIRAMAR RD.  
 SAN DIEGO, CA 92126  
 (858) 549-6340  
 (858) 549-6345 FAX

**SMA MALE TO SMA MALE**

SIZE A	CABLE GROUP -	DWG NO. <b>P2RFC-2067-XX</b>	REV -
SCALE: NTS	ENGINEERING ID: 000000	SHEET 1 OF 1	