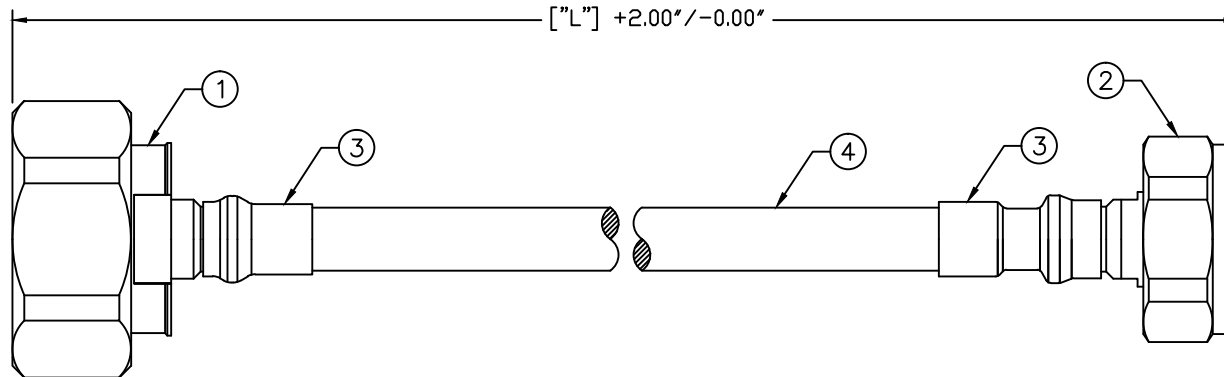


PART NO.

P2RFC-2077-XX

REV	DESCRIPTION	DWN	DATE	APPROVED
-	ENGINEERING RELEASE	CZS	01/17/17	JDMc



P2RFC-2077-XX

[\"L\"] LENGTH IN INCHES

CONFIGURATION ID

CABLE ASSEMBLY DESIGNATOR

SPECIFICATIONS:

IMPEDANCE: 50 Ohms
 FREQUENCY RANGE: 0-6 GHz
 3RD ORDER IM: ≤ -155 dBc @ 700MHz & 1900MHz
 3RD ORDER IM TEST METHOD: 2x43dBm CARRIERS
 VSWR: $\leq 1.15:1$ THRU 3GHz
 FOR: SPP-250-LLPL, SPO-250 & FSJ1-50A

NOTE: BOTH CONNECTORS WILL HAVE PROTECTIVE CAPS ON

4	COAX CABLE	1	1/4" SUPER FLEXIBLE	---
3	TUBING	2	HEAT SHRINK	---
2	RFD-4195-HPL	1	4.1/9.5 MINI DIN MALE	WHITE BRONZE
1	RFD-1601-HPL	1	7/16 DIN MALE CONNECTOR	WHITE BRONZE
#	PART NUMBER	QTY	DESCRIPTION	FINISH

CUSTOMER
OUTLINE DRAWING

ALL DIMENSIONS
ARE REFERENCE ONLY

UNLESS OTHERWISE SPECIFIED:
DIMENSIONS ARE IN INCHES
AND [MILLIMETERS]

DRAWN	C. ZUNIGA	01/17/17
CHECKED		
ORJ DRAWN	C. ZUNIGA	01/17/17

PROPRIETARY AND CONFIDENTIAL

THIS DRAWING CONTAINS
INFORMATION PROPRIETARY TO
RF INDUSTRIES. ANY
UNAUTHORIZED USE OF THIS
DRAWING IS EXPRESSLY
PROHIBITED WITHOUT WRITTEN
PERMISSION FROM RF
INDUSTRIES. ANY VIOLATION IS
PUNISHABLE UNDER U.S.
COPYRIGHT LAWS.

RFconnectors
DIVISION OF RF INDUSTRIES, LTD.

7610 MIRAMAR RD.
SAN DIEGO, CA 92126
(858) 549-6340
(858) 549-6345 FAX

**7/16 DIN MALE TO
4.1/9.5 MINI DIN MALE**

SIZE	CABLE GROUP	DWG NO.	REV
A	HPL	P2RFC-2077-XX	—
SCALE:	ENGINEERING ID:	SHEET 1 OF 1	
NTS	000000		