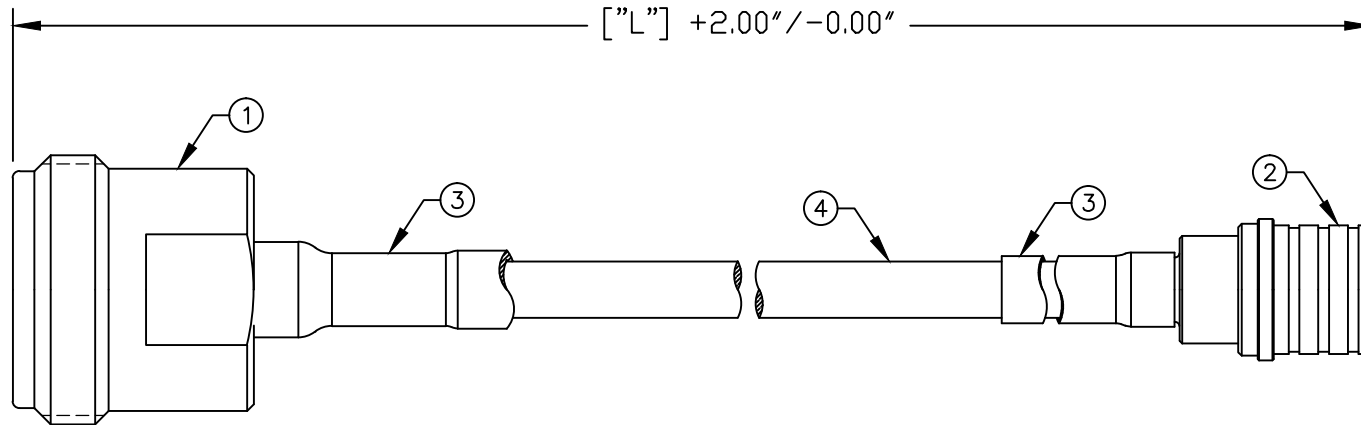


PART NO.		<b>P2RFC-2171-XX</b>		
REV	DESCRIPTION	DWN	DATE	APPROVED
-	ENGINEERING RELEASE	CZS	10/10/16	JDMc



P2RFC-2171-XX  
 [\"L\"] LENGTH IN INCHES  
 CONFIGURATION ID  
 CABLE ASSEMBLY DESIGNATOR

**SPECIFICATIONS:**

IMPEDANCE: 50 Ohms  
 FREQUENCY RANGE: 0-6 GHz  
 3RD ORDER IM:  $\leq -155$  dBc @ 700MHz & 1900MHz  
 3RD ORDER IM TEST METHOD: 2x43dBm CARRIERS  
 VSWR:  $\leq 1.15:1$  THRU 3GHz

NOTE: BOTH CONNECTORS WILL HAVE PROTECTIVE CAPS ON

4	TFT-402-LF	1	PLENUM CABLE	---
3	TUBING	2	HEAT SHRINK	---
2	RQA-5000-SR2LP	1	QMA MALE CONNECTOR	WHITE BRONZE
1	RFD-4195F-SR2	1	4.1/9.5 MINI DIN FEMALE	WHITE BRONZE
#	PART NUMBER	QTY	DESCRIPTION	FINISH

CUSTOMER OUTLINE DRAWING	
ALL DIMENSIONS ARE REFERENCE ONLY	
UNLESS OTHERWISE SPECIFIED: DIMENSIONS ARE IN INCHES AND [MILLIMETERS]	
DRAWN C. ZUNIGA	10/10/16
CHECKED	
ORJ DRAWN C. ZUNIGA	10/10/16

PROPRIETARY AND CONFIDENTIAL

THIS DRAWING CONTAINS INFORMATION PROPRIETARY TO RF INDUSTRIES. ANY UNAUTHORIZED USE OF THIS DRAWING IS EXPRESSLY PROHIBITED WITHOUT WRITTEN PERMISSION FROM RF INDUSTRIES. ANY VIOLATION IS PUNISHABLE UNDER U.S. COPYRIGHT LAWS.

**RFconnectors**  
 DIVISION OF RF INDUSTRIES, LTD.

7610 MIRAMAR RD.  
 SAN DIEGO, CA 92126  
 (858) 549-6340  
 (858) 549-6345 FAX

**4.1/9.5 MINI DIN FEMALE TO QMA MALE**

SIZE A	CABLE GROUP -	DWG NO. <b>P2RFC-2171-XX</b>	REV -
SCALE: NTS	ENGINEERING ID: 000000	SHEET 1 OF 1	