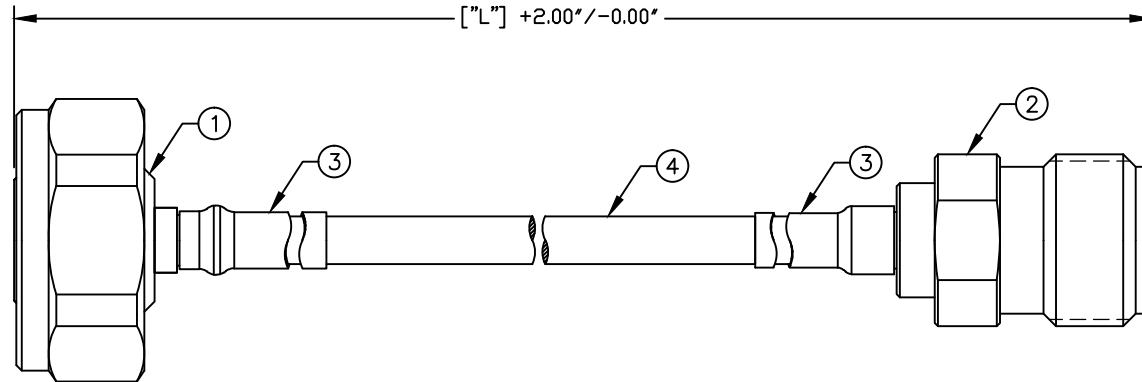


PART NO.

P2RFC-2214-XX

| REV | DESCRIPTION | DWN | DATE | APPROVED |
|-----|---------------------|-----|----------|----------|
| - | ENGINEERING RELEASE | CZS | 10/10/16 | JDMc |



P2RFC-2214-XX

["L"] LENGTH IN INCHES
 CONFIGURATION ID
 CABLE ASSEMBLY DESIGNATOR

SPECIFICATIONS:

IMPEDANCE: 50 Ohms
 FREQUENCY RANGE: 0-6 GHz
 3RD ORDER IM: ≤ -155 dBc @ 700MHz & 1900MHz
 3RD ORDER IM TEST METHOD: 2x43dBm CARRIERS
 VSWR: $\leq 1.15:1$ THRU 3GHz

NOTE: BOTH CONNECTORS WILL HAVE PROTECTIVE CAPS ON

| 4 | TFT-402-LF | 1 | PLENUM CABLE | --- |
|---|----------------|-----|-----------------------|--------------|
| 3 | TUBING | 2 | HEAT SHRINK | --- |
| 2 | RFN-1027-SR2 | 1 | N FEMALE CONNECTOR | WHITE BRONZE |
| 1 | RFD-4195-SR2LF | 1 | 4.1/9.5 MINI DIN MALE | WHITE BRONZE |
| # | PART NUMBER | QTY | DESCRIPTION | FINISH |

CUSTOMER
 OUTLINE DRAWING
 ALL DIMENSIONS
 ARE REFERENCE ONLY
 UNLESS OTHERWISE SPECIFIED:
 DIMENSIONS ARE IN INCHES
 AND [MILLIMETERS]

DRAWN
 C. ZUNIGA 10/10/16
 CHECKED
 ORJ DRAWN
 C. ZUNIGA 10/10/16

PROPRIETARY AND CONFIDENTIAL

THIS DRAWING CONTAINS
 INFORMATION PROPRIETARY TO
 RF INDUSTRIES. ANY
 UNAUTHORIZED USE OF THIS
 DRAWING IS EXPRESSLY
 PROHIBITED WITHOUT WRITTEN
 PERMISSION FROM RF
 INDUSTRIES. ANY VIOLATION IS
 PUNISHABLE UNDER U.S.
 COPYRIGHT LAWS.

RFconnectors
 DIVISION OF RF INDUSTRIES, LTD. 7610 MIRAMAR RD.
 SAN DIEGO, CA 92126
 (858) 549-6340
 (858) 549-6345 FAX

**4.1/9.5 MINI DIN MALE
 TO N FEMALE**

| SIZE | CABLE GROUP | DWG NO. | REV |
|--------|-----------------|----------------------|-----|
| A | - | P2RFC-2214-XX | - |
| SCALE: | ENGINEERING ID: | SHEET 1 OF 1 | |
| NTS | 000000 | | |