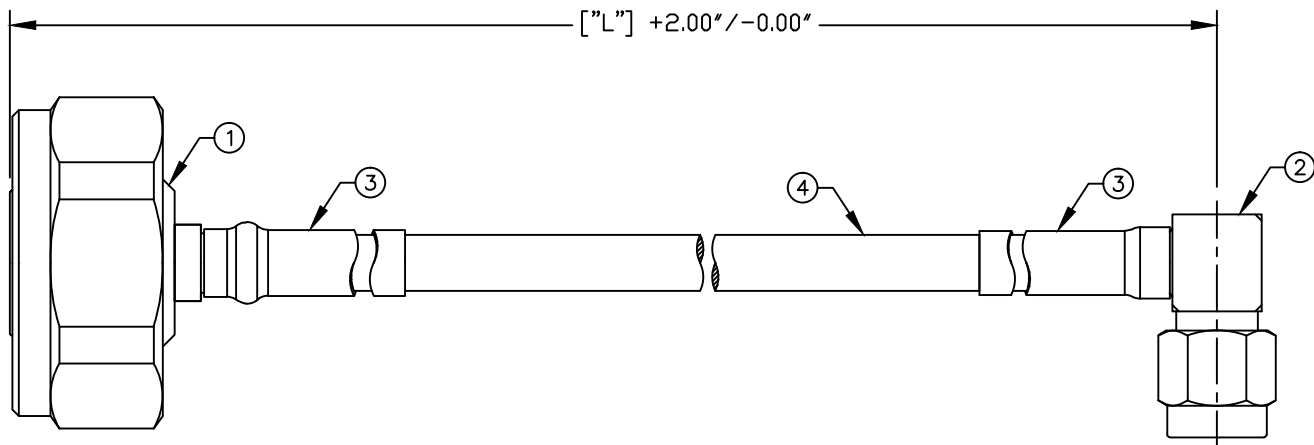


PART NO.		P2RFC-2227-XX		
REV	DESCRIPTION	DWN	DATE	APPROVED
-	ENGINEERING RELEASE	CZS	10/10/16	JDMc



P2RFC-2227-XX
 [\"L\"] LENGTH IN INCHES
 CONFIGURATION ID
 CABLE ASSEMBLY DESIGNATOR

SPECIFICATIONS:

IMPEDANCE: 50 Ohms
 FREQUENCY RANGE: 0-6 GHz
 3RD ORDER IM: ≤ -155 dBc @ 700MHz & 1900MHz
 3RD ORDER IM TEST METHOD: 2x43dBm CARRIERS
 VSWR: $\leq 1.15:1$ THRU 3GHz

NOTE: BOTH CONNECTORS WILL HAVE PROTECTIVE CAPS ON

4	TFT-402-LF	1	PLENUM CABLE	---
3	TUBING	2	HEAT SHRINK	---
2	RSA-3510-SR2LP	1	SMA RIGHT ANGLE MALE	WHITE BRONZE
1	RFD-4195-SR2LF	1	4.1/9.5 MINI DIN MALE	WHITE BRONZE
#	PART NUMBER	QTY	DESCRIPTION	FINISH

CUSTOMER OUTLINE DRAWING	
ALL DIMENSIONS ARE REFERENCE ONLY	
UNLESS OTHERWISE SPECIFIED: DIMENSIONS ARE IN INCHES AND [MILLIMETERS]	
DRAWN C. ZUNIGA	10/10/16
CHECKED	
ORJ DRAWN C. ZUNIGA	10/10/16

PROPRIETARY AND CONFIDENTIAL

THIS DRAWING CONTAINS INFORMATION PROPRIETARY TO RF INDUSTRIES. ANY UNAUTHORIZED USE OF THIS DRAWING IS EXPRESSLY PROHIBITED WITHOUT WRITTEN PERMISSION FROM RF INDUSTRIES. ANY VIOLATION IS PUNISHABLE UNDER U.S. COPYRIGHT LAWS.

RFconnectors 7610 MIRAMAR RD. SAN DIEGO, CA 92126 (858) 549-6340
 DIVISION OF RF INDUSTRIES, LTD. (858) 549-6345 FAX

4.1/9.5 MINI DIN MALE TO SMA MALE RIGHT ANGLE

SIZE A	CABLE GROUP -	DWG NO. P2RFC-2227-XX	REV -
SCALE: NTS	ENGINEERING ID: 000000	SHEET 1 OF 1	