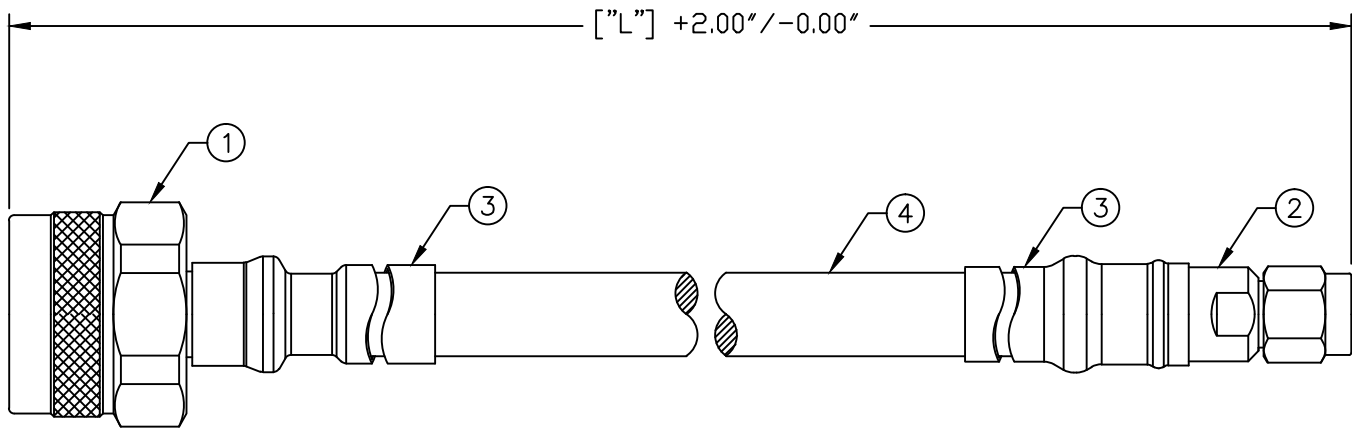


PART NO.		P2RFC-2244-XX		
REV	DESCRIPTION	DWN	DATE	APPROVED
-	ENGINEERING RELEASE	CZS	11/11/16	JDMc



P2RFC-2244-XX
 [\"L\"] LENGTH IN INCHES
 CONFIGURATION ID
 CABLE ASSEMBLY DESIGNATOR

SPECIFICATIONS:

IMPEDANCE: 50 Ohms
 FREQUENCY RANGE: 0-6 GHz
 3RD ORDER IM: ≤-155 dBc @ 700MHz & 1900MHz
 3RD ORDER IM TEST METHOD: 2x43dBm CARRIERS
 VSWR: ≤1.15:1 THRU 3GHz
 FOR:SPP-250-LLPL, SPO-250 & FSJ1-50A

NOTE: BOTH CONNECTORS WILL HAVE PROTECTIVE CAPS ON

CUSTOMER
 OUTLINE DRAWING
 ALL DIMENSIONS
 ARE REFERENCE ONLY
 UNLESS OTHERWISE SPECIFIED:
 DIMENSIONS ARE IN INCHES
 AND [MILLIMETERS]

PROPRIETARY AND CONFIDENTIAL
 THIS DRAWING CONTAINS
 INFORMATION PROPRIETARY TO
 RF INDUSTRIES. ANY
 UNAUTHORIZED USE OF THIS
 DRAWING IS EXPRESSLY
 PROHIBITED WITHOUT WRITTEN
 PERMISSION FROM RF
 INDUSTRIES. ANY VIOLATION IS
 PUNISHABLE UNDER U.S.
 COPYRIGHT LAWS.

RFconnectors 7610 MIRAMAR RD.
 SAN DIEGO, CA 92126
 (858) 549-6340
 DIVISION OF RF INDUSTRIES, LTD. (858) 549-6345 FAX

N MALE TO SMA MALE
 CABLE ASSEMBLY

DRAWN	C. ZUNIGA	11/11/16
CHECKED		
ORJ DRAWN	C. ZUNIGA	11/11/16

SIZE	CABLE GROUP	DWG NO.	REV
A	HPL	P2RFC-2244-XX	—
SCALE:	ENGINEERING ID:	SHEET 1 OF 1	
NTS	000000		

#	PART NUMBER	QTY	DESCRIPTION	FINISH
4	COAX CABLE	1	1/4" SUPER FLEXIBLE	---
3	TUBING	2	HEAT SHRINK	---
2	RSA-3500-HPL	1	SMA MALE CONNECTOR	WHITE BRONZE
1	RFN-1002-HPL	1	N MALE CONNECTOR	WHITE BRONZE