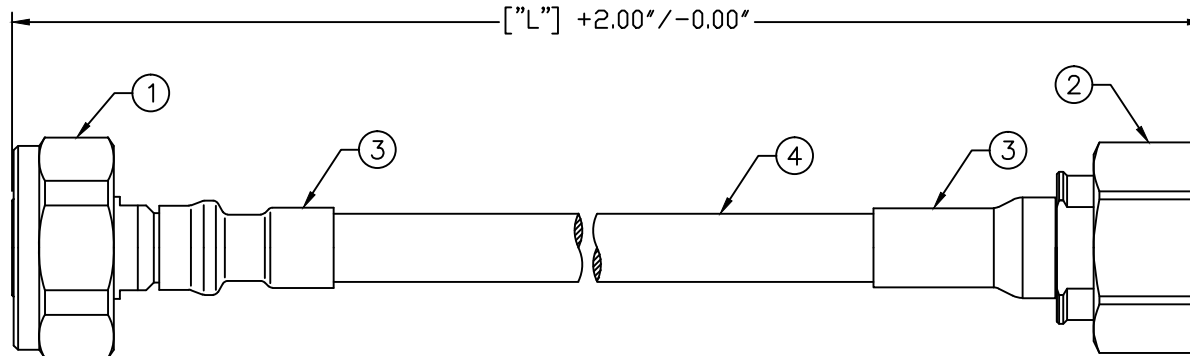


PART NO.		<b>P2RFC-2337-XX</b>		
REV	DESCRIPTION	DWN	DATE	APPROVED
-	ENGINEERING RELEASE	CZS	11/01/16	JDMc



P2RFC-2337-XX  
 └───┬───┬───  
 └───┬───┬─── [\"L\"] LENGTH IN INCHES  
 └───┬───┬─── CONFIGURATION ID  
 └───┬───┬─── CABLE ASSEMBLY DESIGNATOR

**SPECIFICATIONS:**

IMPEDANCE: 50 Ohms  
 FREQUENCY RANGE: 0-6 GHz  
 3RD ORDER IM:  $\leq -155$  dBc @ 700MHz & 1900MHz  
 3RD ORDER IM TEST METHOD: 2x43dBm CARRIERS  
 VSWR:  $\leq 1.15:1$  THRU 3GHz  
 FOR: SPP-250-LLPL, SPO-250 & FSJ1-50A

NOTE: BOTH CONNECTORS WILL HAVE PROTECTIVE CAPS ON

CUSTOMER  
 OUTLINE DRAWING  
 ALL DIMENSIONS  
 ARE REFERENCE ONLY  
 UNLESS OTHERWISE SPECIFIED:  
 DIMENSIONS ARE IN INCHES  
 AND [MILLIMETERS]

PROPRIETARY AND CONFIDENTIAL  
 THIS DRAWING CONTAINS  
 INFORMATION PROPRIETARY TO  
 RF INDUSTRIES. ANY  
 UNAUTHORIZED USE OF THIS  
 DRAWING IS EXPRESSLY  
 PROHIBITED WITHOUT WRITTEN  
 PERMISSION FROM RF  
 INDUSTRIES. ANY VIOLATION IS  
 PUNISHABLE UNDER U.S.  
 COPYRIGHT LAWS.

**RFconnectors**  
 DIVISION OF RF INDUSTRIES, LTD.  
 7610 MIRAMAR RD.  
 SAN DIEGO, CA 92126  
 (858) 549-6340  
 (858) 549-6345 FAX

**4.1/9.5 MALE TO 4.3/10 MALE**  
 CABLE ASSEMBLY

4	COAX CABLE	1	1/4" SUPER FLEXIBLE	---
3	TUBING	2	HEAT SHRINK	---
2	RFD-43MS-HPL	1	4.3/10 MALE CONNECTOR	WHITE BRONZE
1	RFD-4195-HPL	1	4.1/9.5 MALE CONNECTOR	WHITE BRONZE
#	PART NUMBER	QTY	DESCRIPTION	FINISH

DRAWN	C. ZUNIGA	11/01/16
CHECKED		
ORJ DRAWN	C. ZUNIGA	11/01/16

SIZE	CABLE GROUP	DWG NO.	REV
A	HPL	<b>P2RFC-2337-XX</b>	---
SCALE:	ENGINEERING ID:	SHEET 1 OF 1	
NTS	000000		