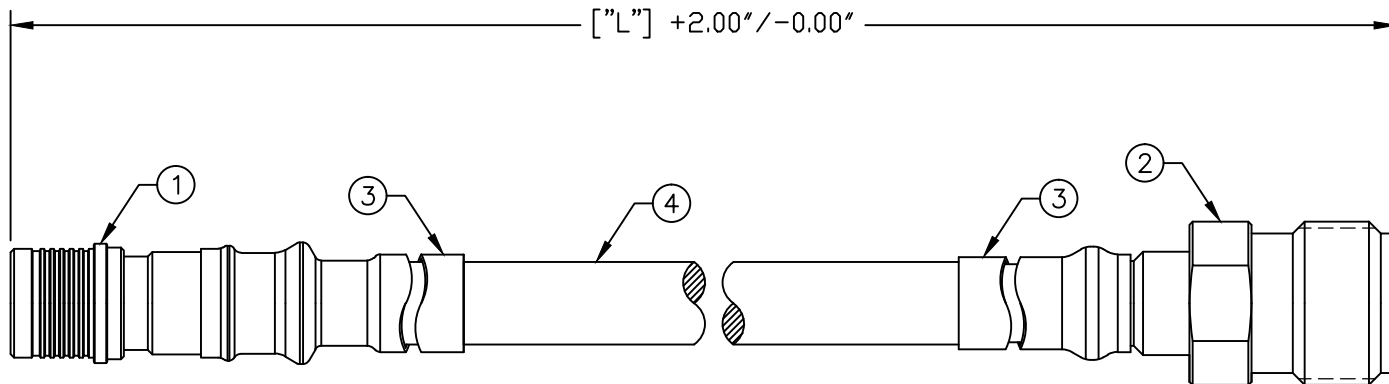


| | | | | |
|----------|---------------------|----------------------|----------|----------|
| PART NO. | | P2RFC-2356-XX | | |
| REV | DESCRIPTION | DWN | DATE | APPROVED |
| - | ENGINEERING RELEASE | CZS | 11/16/16 | JDMc |



P2RFC-0000-XX
 [\"L\"] LENGTH IN INCHES
 CONFIGURATION ID
 CABLE ASSEMBLY DESIGNATOR

SPECIFICATIONS:

IMPEDANCE: 50 Ohms
 FREQUENCY RANGE: 0-6 GHz
 3RD ORDER IM: ≤ -155 dBc @ 700MHz & 1900MHz
 3RD ORDER IM TEST METHOD: TWO+43dBm CARRIERS
 VSWR: $\leq 1.15:1$ THRU 3GHz
 FOR: SPP-250-LLPL, SPO-250 & FSJ1-50A

NOTE: BOTH CONNECTORS WILL HAVE PROTECTIVE CAPS ON

CUSTOMER
 OUTLINE DRAWING
 ALL DIMENSIONS
 ARE REFERENCE ONLY
 UNLESS OTHERWISE SPECIFIED:
 DIMENSIONS ARE IN INCHES
 AND [MILLIMETERS]

PROPRIETARY AND CONFIDENTIAL
 THIS DRAWING CONTAINS
 INFORMATION PROPRIETARY TO
 RF INDUSTRIES. ANY
 UNAUTHORIZED USE OF THIS
 DRAWING IS EXPRESSLY
 PROHIBITED WITHOUT WRITTEN
 PERMISSION FROM RF
 INDUSTRIES. ANY VIOLATION IS
 PUNISHABLE UNDER U.S.
 COPYRIGHT LAWS.

RFconnectors 7610 MIRAMAR RD.
 SAN DIEGO, CA 92126
 (858) 549-6340
 DIVISION OF RF INDUSTRIES, LTD. (858) 549-6345 FAX

QMA MALE TO N FEMALE
 CABLE ASSEMBLY

| | | | | |
|---|--------------|-----|---------------------|--------------|
| 4 | COAX CABLE | 1 | 1/4" SUPER FLEXIBLE | --- |
| 3 | TUBING | 2 | HEAT SHRINK | --- |
| 2 | RFN-1027-HPL | 1 | N FEMALE CONNECTOR | WHITE BRONZE |
| 1 | RQA-5000-HPL | 1 | QMA MALE CONNECTOR | WHITE BRONZE |
| # | PART NUMBER | QTY | DESCRIPTION | FINISH |

| | | |
|-----------|-----------|----------|
| DRAWN | C. ZUNIGA | 11/16/16 |
| CHECKED | | |
| ORJ DRAWN | C. ZUNIGA | 11/16/16 |

| | | | |
|--------|-----------------|----------------------|-----|
| SIZE | CABLE GROUP | DWG NO. | REV |
| A | HPL | P2RFC-2356-XX | — |
| SCALE: | ENGINEERING ID: | SHEET 1 OF 1 | |
| NTS | 000000 | | |