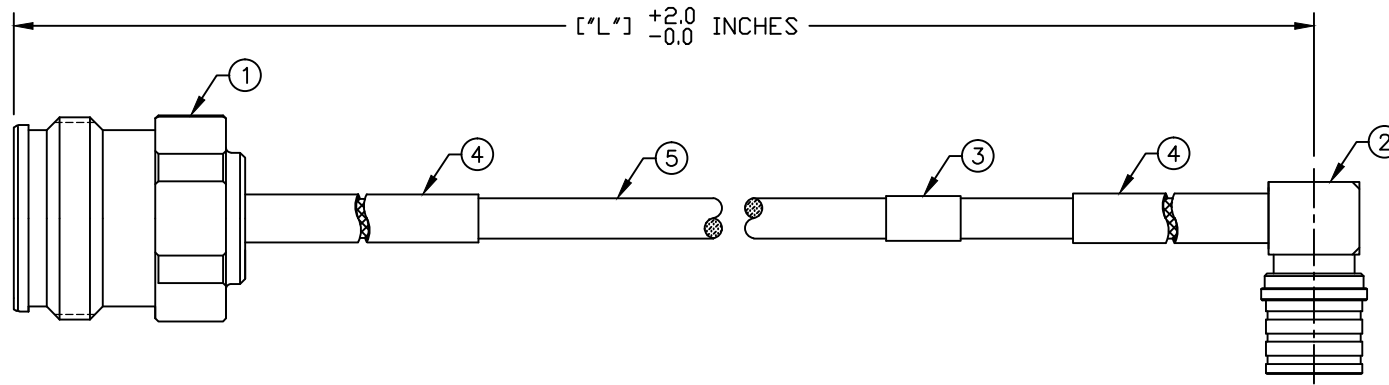


PART NO.

P2RFC-2849-XX

REV	DESCRIPTION	DWN	DATE	APPROVED
-	ENGINEERING RELEASE	CZS	05/15/18	JDMc



P2RFC-2849-XX

[\"L\"] LENGTH IN INCHES

CONFIGURATION ID

CABLE ASSEMBLY DESIGNATOR

SPECIFICATIONS:

IMPEDANCE: 50 Ohms

FREQUENCY RANGE: 0-3 GHz

3RD INTERMODULATION: ≤ -155 dBc @ 700MHz & 1900MHz

3RD INTERMODULATION TEST METHOD: 2x43dBm CARRIERS

NOTE: BOTH CONNECTORS WILL HAVE PROTECTIVE CAPS ON

5	TFT-402-LF	1	PLENUM CABLE	---
4	TUBING	2	HEAT SHRINK	---
3	LABEL	1	CUSTOM LABEL	---
2	RQA-5010-SR2	1	QMA PLUG RIGHT ANGLE	WHITE BRONZE
1	RFD-43F-SR2	1	4.3/10 JACK	WHITE BRONZE
#	PART NUMBER	QTY	DESCRIPTION	FINISH

CUSTOMER OUTLINE DRAWING	
ALL DIMENSIONS ARE REFERENCE ONLY	
UNLESS OTHERWISE SPECIFIED: DIMENSIONS ARE IN INCHES AND [MILLIMETERS]	
DRAWN C. ZUNIGA	05/15/18
CHECKED	
ORJ DRAWN C. ZUNIGA	05/15/18

PROPRIETARY AND CONFIDENTIAL

THIS DRAWING CONTAINS
INFORMATION PROPRIETARY
TO RF INDUSTRIES, ANY
UNAUTHORIZED USE OF
THIS DRAWING IS
EXPRESSLY PROHIBITED
WITHOUT WRITTEN
PERMISSION FROM RF
INDUSTRIES. ANY
VIOLATION IS PUNISHABLE
UNDER U.S. COPYRIGHT
LAWS.

RFconnectors
DIVISION OF RF INDUSTRIES, LTD.

7610 MIRAMAR RD.
SAN DIEGO, CA 92126
(858) 549-6340
(858) 549-6345 FAX

4.3/10 JACK TO QMA PLUG R/A

CABLE ASSEMBLY

SIZE	CABLE GROUP	DWG NO.	REV
A	-	P2RFC-2849-XX	-
SCALE: NTS	ENGINEERING ID: 000000	SHEET 1 OF 1	