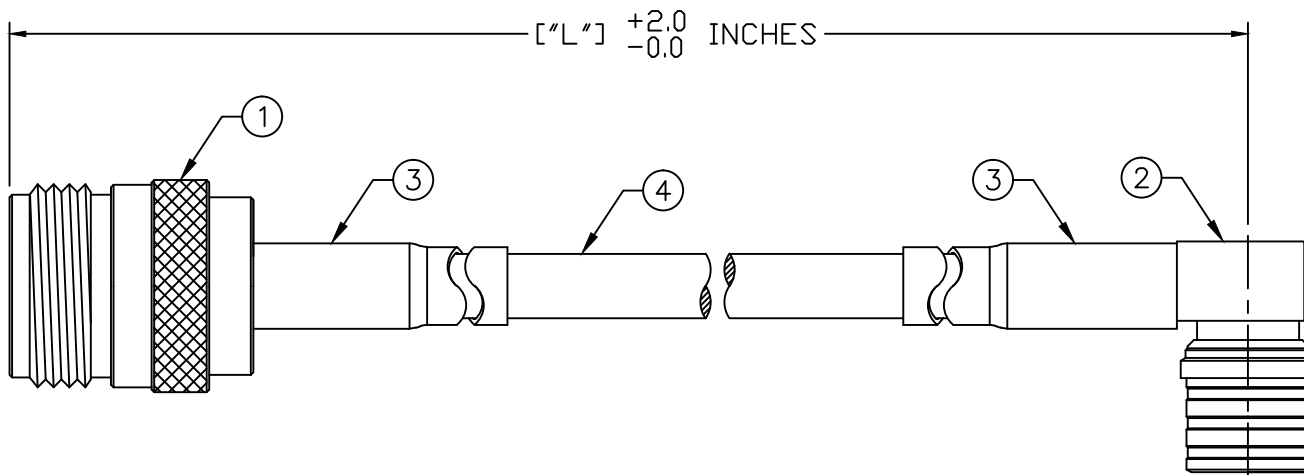


PART NO.		RFW-13403-XX		
REV	DESCRIPTION	DWN	DATE	APPROVED
-	ENGINEERING RELEASE	CZS	01/22/19	JDMc



RFW-13403-XX
 [\"L\"] LENGTH IN INCHES
 CONFIGURATION ID
 CABLE ASSEMBLY DESIGNATOR

- STANDARD CABLE LENGTHS [\"L\"]:
- 12 [1 FOOT]
 - 24 [2 FEET]
 - 36 [3 FEET]
 - 48 [4 FEET]
 - 60 [5 FEET]
 - 72 [6 FEET]

SPECIFICATIONS:

IMPEDANCE: 50 Ohms
 TEMPERATURE RANGE: -65°C TO 165°C

CUSTOMER OUTLINE DRAWING	
ALL DIMENSIONS ARE REFERENCE ONLY	
UNLESS OTHERWISE SPECIFIED: DIMENSIONS ARE IN INCHES AND [MILLIMETERS]	
DRAWN C. ZUNIGA	01/22/19
CHECKED	
ORJ DRAWN C. ZUNIGA	01/22/19

PROPRIETARY AND CONFIDENTIAL

THIS DRAWING CONTAINS INFORMATION PROPRIETARY TO RF INDUSTRIES. ANY UNAUTHORIZED USE OF THIS DRAWING IS EXPRESSLY PROHIBITED WITHOUT WRITTEN PERMISSION FROM RF INDUSTRIES. ANY VIOLATION IS PUNISHABLE UNDER U.S. COPYRIGHT LAWS.

RFconnectors 7610 MIRAMAR RD.
 SAN DIEGO, CA 92126
 (858) 549-6340
 DIVISION OF RF INDUSTRIES, LTD. (858) 549-6345 FAX

N FEMALE TO QMA MALE R/A
 LMR-195 CABLE ASSEMBLY

SIZE A	CABLE GROUP C	DWG NO. RFW-13403-XX	REV —
SCALE: NTS	ENGINEERING ID: 000000	SHEET 1 OF 1	

#	PART NUMBER	QTY	DESCRIPTION	FINISH
4	CBL-LMR195-LFR	1	COAX CABLE	---
3	ST-P0250A-K	1	TUBING	HEAT SHRINK
2	RQA-5010-C	1	QMA PLUG R/A CONNECTOR	WHITE BRONZE
1	RFN-1027	1	N FEMALE CONNECTOR	SILVER