

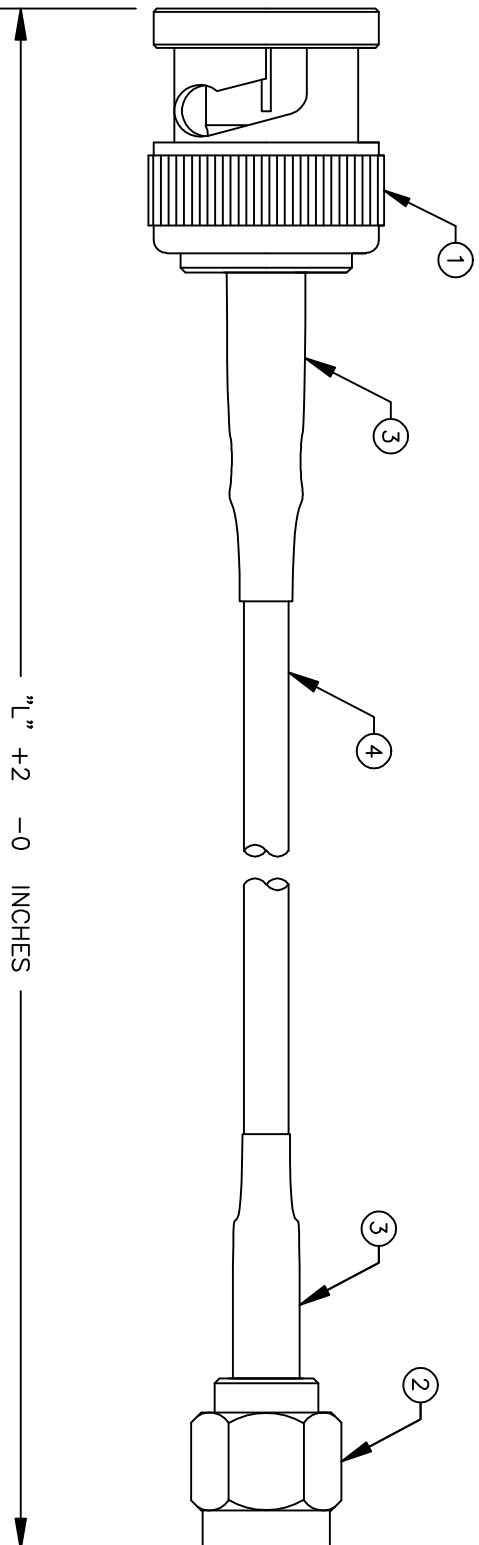
THIS DRAWING CONTAINS INFORMATION PROPRIETARY TO RF INDUSTRIES,
 ANY UNAUTHORIZED USE OF THIS DRAWING IS EXPRESSLY PROHIBITED
 WITHOUT WRITTEN PERMISSION FROM RF INDUSTRIES.
 ANY VIOLATION IS PUNISHABLE UNDER U.S. COPYRIGHT LAWS.

ALL DIMENSIONS ARE REFERENCE ONLY

PART NO.

RFW-5371-XX

REV	DESCRIPTION	DWN	DATE	APPROVED
-	ENGINEERING RELEASE	CZS	01/26/11	JDMG



STANDARD CABLE LENGTHS ["L"]:

- 12 [1 FOOT]
- 24 [2 FEET]
- 36 [3 FEET]
- 48 [4 FEET]
- 60 [5 FEET]
- 72 [6 FEET]

RFW-5371-XX
 ["L"] LENGTH IN INCHES
 SPECIFIC PART NUMBER
 CABLE ASSEMBLY DESIGNATOR

000000

DRAWN C. ZUNIGA	01/26/11
CHECKED	
ORJ DRAWN C. ZUNIGA	01/26/11
APPROVALS	DATE

RF connectors
 DIVISION OF RF INDUSTRIES, LTD.
 7610 MIRAMAR RD
 SAN DIEGO, CA 92126
 (858) 549-6340
 (858) 549-6345 FAX

BNC PLUG TO SMA PLUG

SIZE A	CABLE GROUP RG-316	DWG. NO. RFW-5371-XX	REV -
SCALE: NTS	CAD FILE OUTLINE	SHEET 1	OF 1

#	PART NUMBER	QTY	MATERIAL	FINISH
4	CABLE	1	---	---
3	TUBING	2	HEAT SHRINK	BLACK
2	RSA-3000-B	1	BRASS	NICKEL
1	RFB-1106-5	1	BRASS	NICKEL