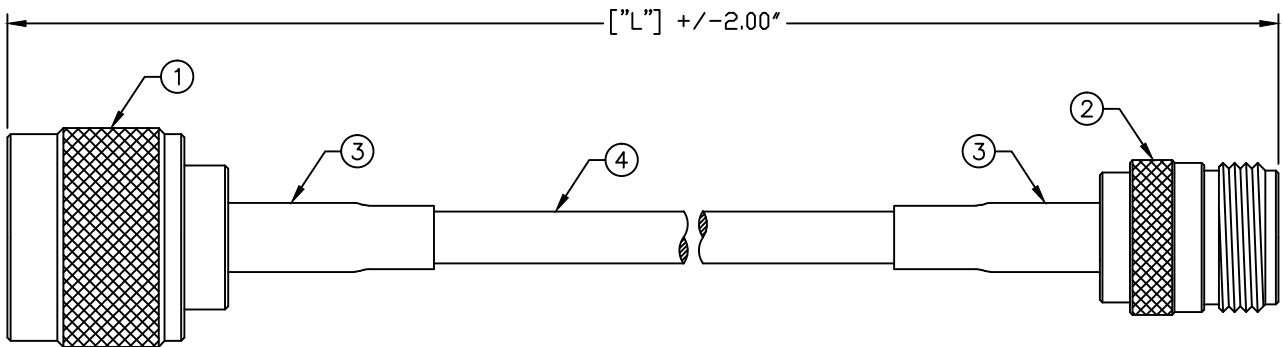


PART NO.		<b>RFW-5623-XX</b>		
REV	DESCRIPTION	DWN	DATE	APPROVED
-	ENGINEERING RELEASE	CZS	12/06/16	JDMc



RFW-5623-XX  
 [\"L\"] LENGTH IN INCHES  
 CONFIGURATION ID  
 CABLE ASSEMBLY DESIGNATOR

- STANDARD CABLE LENGTHS [\"L\"]:
- 12 [1 FOOT]
  - 24 [2 FEET]
  - 36 [3 FEET]
  - 48 [4 FEET]
  - 60 [5 FEET]
  - 72 [6 FEET]

**SPECIFICATIONS:**

IMPEDANCE: 50 Ohms  
 WORKING VOLTAGE: 1k V rms @ sea level  
 TEMPERATURE RANGE: -40°C TO 85°C  
 INSULATION RESISTANCE: 5k M Ohms min.

4	CBL-LMR-195	1	COAX CABLE	---
3	TUBING	2	HEAT SHRINK	---
2	RFN-1027	1	N FEMALE CRIMP CONNECTOR	SILVER
1	RFN-1005-3C	1	N MALE CRIMP CONNECTOR	SILVER
#	PART NUMBER	QTY	DESCRIPTION	FINISH

CUSTOMER OUTLINE DRAWING	
ALL DIMENSIONS ARE REFERENCE ONLY	
UNLESS OTHERWISE SPECIFIED: DIMENSIONS ARE IN INCHES AND [MILLIMETERS]	
DRAWN C. ZUNIGA	12/06/16
CHECKED	
ORJ DRAWN C. ZUNIGA	12/06/16

**RoHS COMPLIANT**

PROPRIETARY AND CONFIDENTIAL  
 THIS DRAWING CONTAINS INFORMATION PROPRIETARY TO RF INDUSTRIES. ANY UNAUTHORIZED USE OF THIS DRAWING IS EXPRESSLY PROHIBITED WITHOUT WRITTEN PERMISSION FROM RF INDUSTRIES. ANY VIOLATION IS PUNISHABLE UNDER U.S. COPYRIGHT LAWS.

**RFconnectors** 7610 MIRAMAR RD. SAN DIEGO, CA 92126 (858) 549-6340  
 DIVISION OF RF INDUSTRIES, LTD. (858) 549-6345 FAX

**N MALE TO N FEMALE**  
 LMR-195 CABLE ASSEMBLY

SIZE A	CABLE GROUP C	DWG NO. <b>RFW-5623-XX</b>	REV ---
SCALE: NTS	ENGINEERING ID: 000000	SHEET 1 OF 1	