

Power Tapper 4.3-10 Type Frequency 698-2700MHz

Features

Low Insertion Loss

Low VSWR

Low PIM -160dBc

200 Watt Average Power

Indoor/Outdoor Use

RoHS Compliant

Install Bracket Included



RFPT-43F-C48, RFPT-43F-C7, RFPT-43F-C10



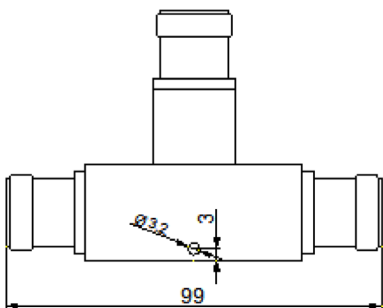
RFPT-43F-C20

GENERAL SPECIFICATIONS

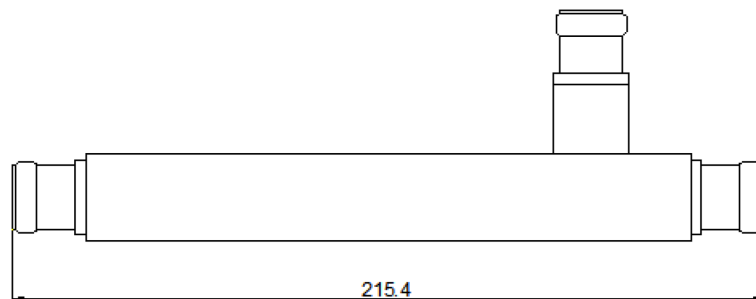
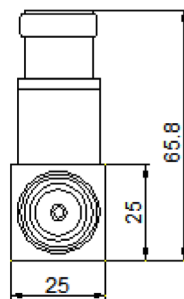
Frequency Range.....	698-2700MHz
Impedance.....	50Ω
Power Rating.....	200W avg
3rd PIM (dBc).....	≤-160dBc@2X +43dBm tones
IP Grade.....	IP65
Temperature Range.....	-35° C to +85° C
Connector Type.....	4.3-10 Female
Housing Material.....	Aluminum
Color.....	Black

ELECTRICAL SPECIFICATIONS

Model Number	Coupling	VSWR	Branch Flatness ref. to Input Level, incl Loss dB		Insertion Loss dB	
			698-960	1710-2700	698-960	1710-2700
RFPT-43F-C48	4.8dB	≤1.35:1	±1.0	±1.0	1.75±0.5	1.75±0.5
RFPT-43F-C7	7.0dB	≤1.35:1	±1.0	±1.0	1.0±0.3	1.0±0.3
RFPT-43F-C10	10.0dB	≤1.35:1	±1.0	±1.0	0.5±0.2	0.5±0.2
RFPT-43F-C20	20dB	≤1.15:1	±1.5	±1.5	0.1±0.1	0.1±0.1



RFPT-43F-C20



RFPT-43F-C48, RFPT-43F-C7, RFPT-43F-C10

