

Quick Locking

- Ergonomic 1/3-turn
- lockingAudible click

Secure Mating

- Protected MPO or MU contacts
- Backshell with anti-unlocking system
- Robust shell material
- High strength cable retention system

All-in-one Power and Optic Solution

- Designed for all standard MPO or MU contacts
- High power and voltage drop management
- Designed for copper conductors from AWG16 to AWG8
- One extra contact for grounding

Long Outdoor Life

- UV-resistant
- Corrosion free
- IP68/69K

Factory terminated cable assemblies available from Cables Unlimited



Cables Unlimited

division of RF Industries

3 Old Dock Road
Yaphank, NY 11980
800.590.9965
631.563.2393

cablesales@cables-unlimited.com
www.cables-unlimited.com



Mechanical

Housing and backshell	thermoplastic UL94-V0
Insert	thermoplastic UL94-V0
Optical contacts	depends on LC customer choice
Durability per IEC 61300-2-2	500 mating/unmating
Vibration per IEC 61300-2-1	Sinusoidal vibration, 5Hz to 500Hz, 3.5mm amplitude, 9.8m/s ² above 9Hz
Temperature variation per IEC 61300-2-22	12 cycles 1hour, from -40°C to +85°C

Environmental

Temperature range:	from -40°C to +105°C
Salt mist per IEC 61300-2-26	96 hours
Sealing (mated) per IEC 60529	dynamic IP68 under water for 1week, 1bar
UV resistance	no mechanical degradation or significant variation of color after 5 years of exposure in natural environment (equivalent exposure to sun and moisture as per ISO4892)

Electrical

Size 8 contacts for applications up to 44 Amps	
Contact resistance	≤ 5mΩ
Machined contact technology	
Contact body	high conductive copper alloy
Outer spring	non plated beryllium copper
Plating "A"	3μ silver

Optical

depends on MPO and MU contacts customer choice

MPO and MU contacts not delivered by RF Industries	
Performances	exceeding IEC 61753-1 standard Cat. E (extreme environment)
Multimode contact	insertion losses < 0.10dB over 97% of the samples Return losses > 30dB minimum
Singlemode contact	insertion losses < 0.25dB over 97% of the samples Return losses > 45dB minimum

Note: Specifications subject to change without notice
OptiFlex is a trademark of RF Industries

OHCS HYBRID MPO/MU SERIES

Typical Applications



Cell Tower Distribution Box

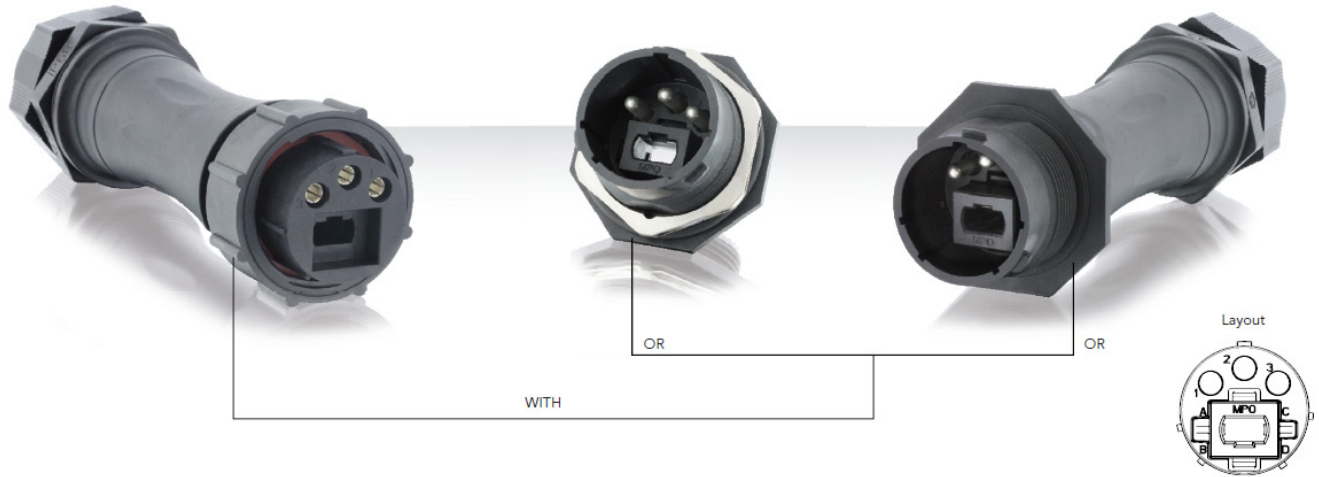


Remote Radio Head



Wind Turbine

OHCS HYBRID MPO SERIES



Connector Part Number

Contact type	Connector type	Backshell	Part number	
			Male insert with male crimp contact	Female insert with female crimp contact
Crimp contacts supplied separately see page 7	Free hanging receptacle	Cable gland	OHCS1JC20HYBMPN	-
	Jam nut receptacle	Without	OHCS720HYBMPN	-
	Plug	Cable gland	-	OHCS6JC20HYBMPN

Accessories

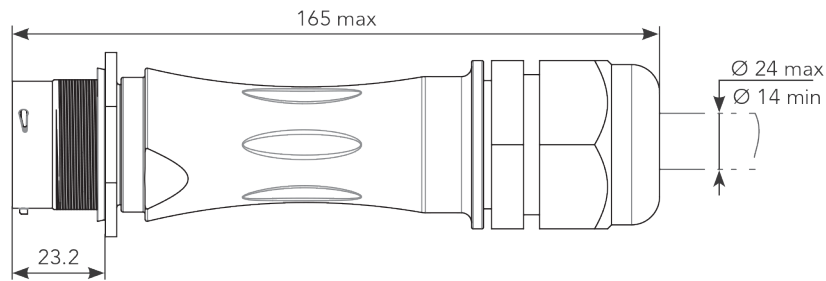
Sealing Caps	
 <p>Part number OHCS620DCG for OHCS6JC20HYBMPN</p>	 <p>Part number OHCS20DCG for OHCS1JC20HYBMPN & OHCS720HYBMPN</p>

*Note: Specifications subject to change without notice
OptiFlex is a trademark of RF Industries*

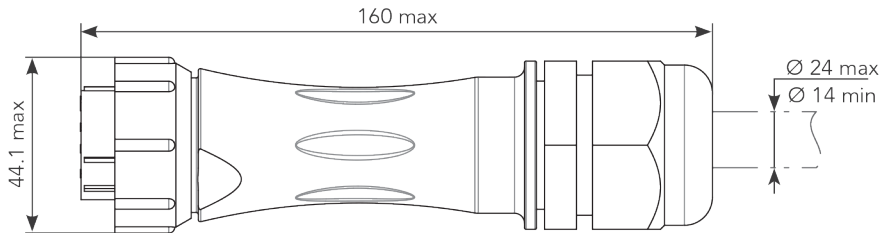
OHCS HYBRID MPO SERIES

Dimensions (mm)

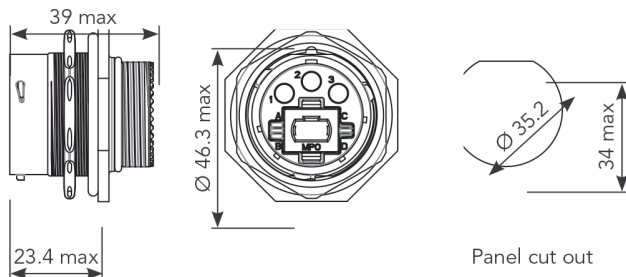
Free Hanging Receptacle - OHCS1JC20HYBMPN



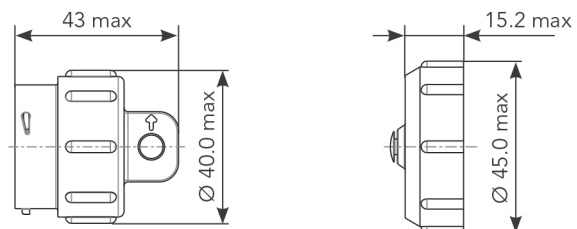
Plug - OHCS6JC20HYBMPN



Jam Nut Receptacle - OHCS720HYBMPN



Sealing Cap



Note: All dimensions are in mm
Specifications subject to change without notice
OptiFlex is a trademark of RF Industries

OHCS HYBRID MU SERIES

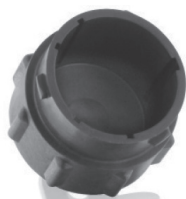


Connector Part Number

Contact type	Connector type	Backshell	Part number	
			Male insert with male crimp contact	Female insert with female crimp contact
Crimp contacts supplied separately see page 7	Free hanging receptacle	Cable gland	OHCS1JC20HYBMUN	-
	Jam nut receptacle	Without	OHCS720HYBMUN	-
	Plug	Cable gland	-	OHCS6JC20HYBMUN

Accessories

Sealing Caps



Part number OHCS620DCG
for OHCS6JC20HYBMUN

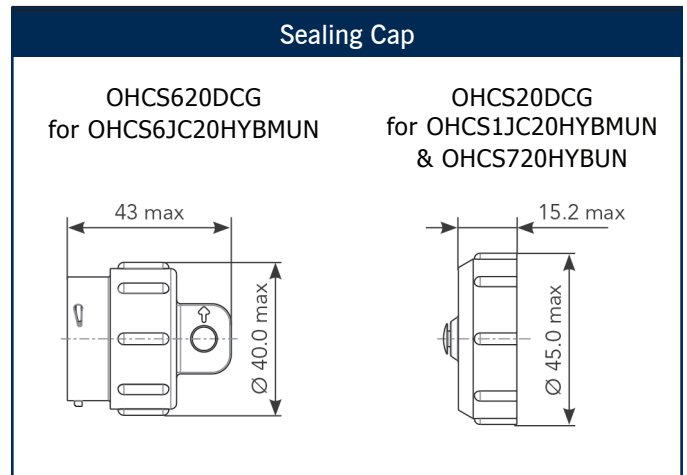
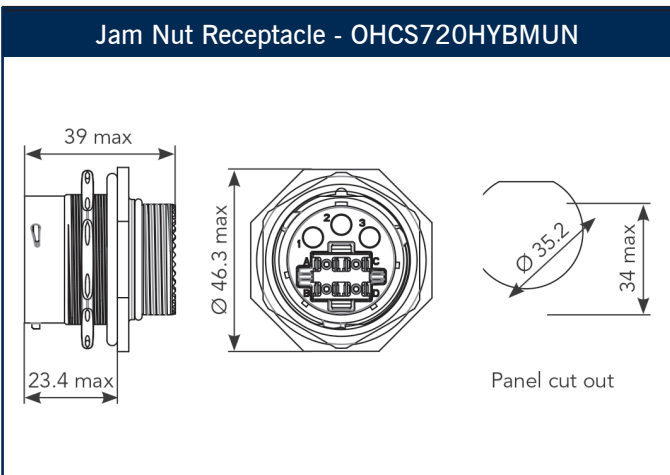
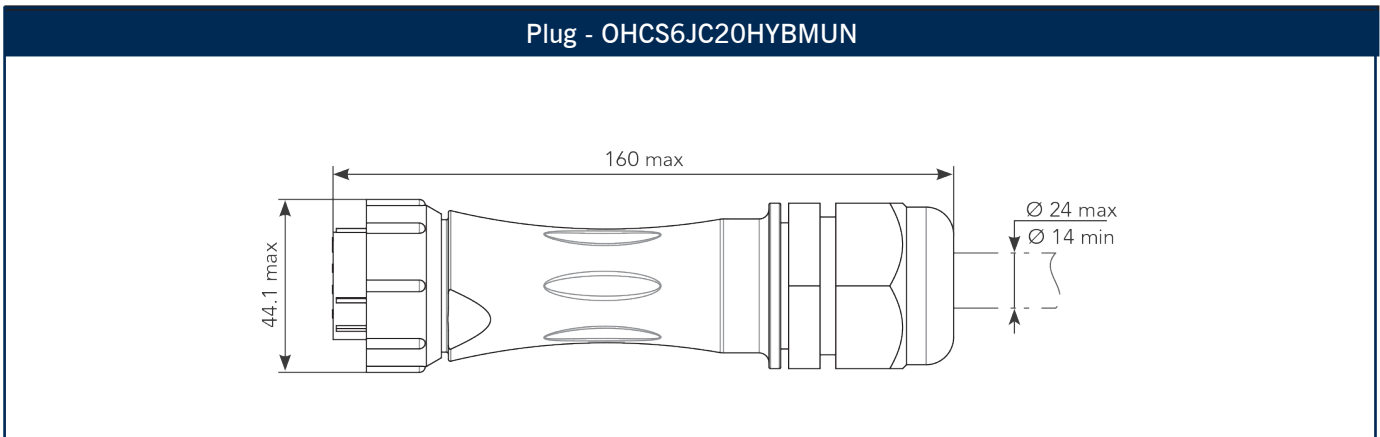
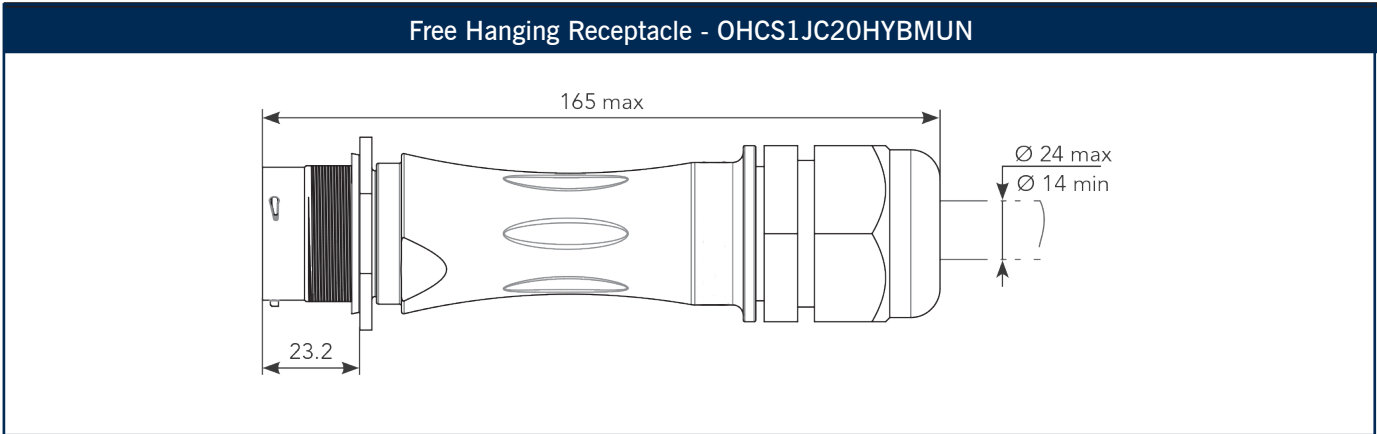


Part number OHCS20DCG
for OHCS1JC20HYBMUN
& OHCS720HYBMUN

*Note: Specifications subject to change without notice
OptiFlex is a trademark of RF Industries*

OHCS HYBRID MU SERIES

Dimensions (mm)



*Note: All dimensions are in mm
Specifications subject to change without notice
OptiFlex is a trademark of RF Industries*

OHCS HYBRID MPO/MU SERIES

Crimp #8 Contacts

Contact type	Type	Wire size		Part number		Max insulator Ø	Available Plating
		AWG	mm ²	Male	Female		
#8 Ø3.0mm	Machined	16	1.31	82913601A	82913600A	6.5	2µ Ni + 2µ Ag
		14	2.08	82913603A	82913602A		
		12	3.31	82913605A	82913604A		
		10	5.26	82913607A	82913606A		
		8	8.37	82913609A	82913608A		

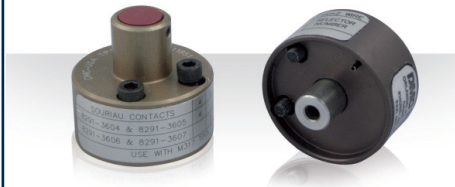
Tooling #8 Contacts

Sealing Caps



Part number M317

Positioner + Locator Setting #8



Part number GE10078A

Extraction Tool #8



Part number 51060210936

*Note: Specifications subject to change without notice
OptiFlex is a trademark of RF Industries*