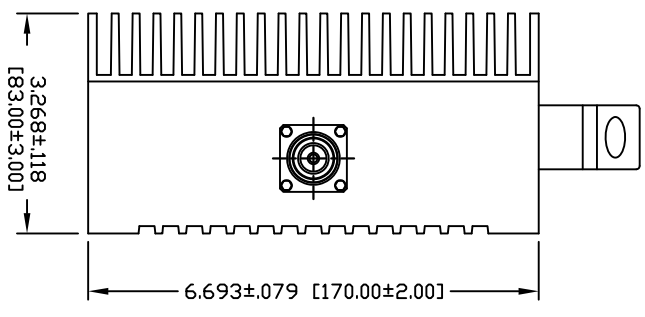
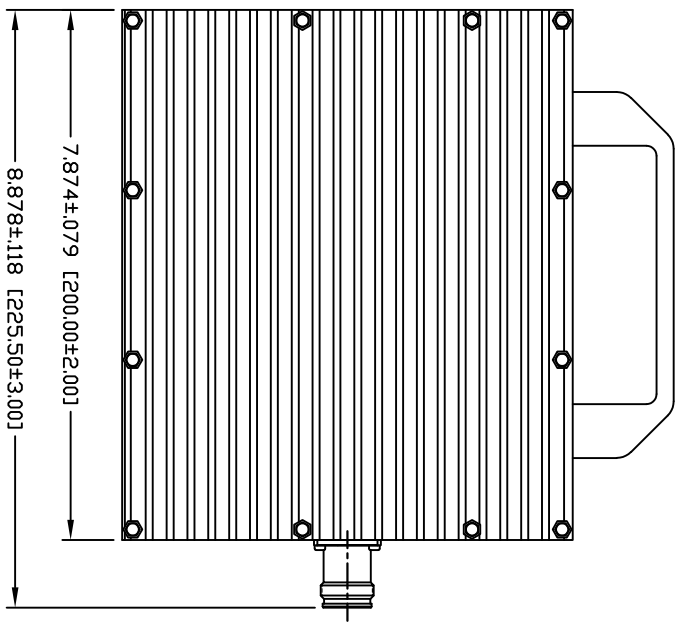


PART NO.		RFLoad-43F200		
REV	DESCRIPTION	DWN	DATE	APPROVED
A	CHANGED ELECTRICAL SPECS	CZS	09/14/22	JDMc



SPECIFICATIONS:

IMPEDANCE: 50 Ohms
 OPERATION FREQUENCY BAND: 600-2700 MHZ
 3RD ORDER IM: <-160 dBc (RELATIVE TO CARRIER)
 3RD ORDER IM TEST METHOD: 2x43 dBm CARRIERS
 VSWR: ≤1.25:1
 AVERAGE POWER: 200 WATT
 TEMPERATURE RANGE: -35°C ~ +75°C
 REGULATORY COMPLIANCE/CERTIFICATIONS: IP65
 COLOR: BLACK
 WEIGHT: 7.7 lbs APPROX.

CUSTOMER OUTLINE DRAWING	
ALL DIMENSIONS ARE REFERENCE ONLY	
UNLESS OTHERWISE SPECIFIED: DIMENSIONS ARE IN INCHES AND [MILLIMETERS]	
DRAWN C. ZUNIGA	09/14/22
CHECKED	
ORD DRAWN C. ZUNIGA	06/22/22

ROHS COMPLIANT
 PROPRIETARY AND CONFIDENTIAL
 THIS DRAWING CONTAINS
 INFORMATION PROPRIETARY TO
 RF INDUSTRIES, ANY
 UNAUTHORIZED USE OF THIS
 DRAWING IS EXPRESSLY
 PROHIBITED WITHOUT WRITTEN
 PERMISSION FROM RF
 INDUSTRIES. ANY VIOLATION IS
 PUNISHABLE UNDER U.S.
 COPYRIGHT LAWS.

		200 WATT TERMINATION LOAD 4.3-10 FEMALE - 600-2700 MHZ	
SIZE	CABLE GROUP	DWG NO.	REVISION
A	N/A	RFLoad-43F200	A
SCALE: NTS		ENGINEERING ID: 000000	SHEET 1 OF 1

7610 MIRAMAR RD.
 SAN DIEGO, CA 92126
 (858) 549-6340
 DIVISION OF RF INDUSTRIES, LTD. (858) 549-6345 FAX