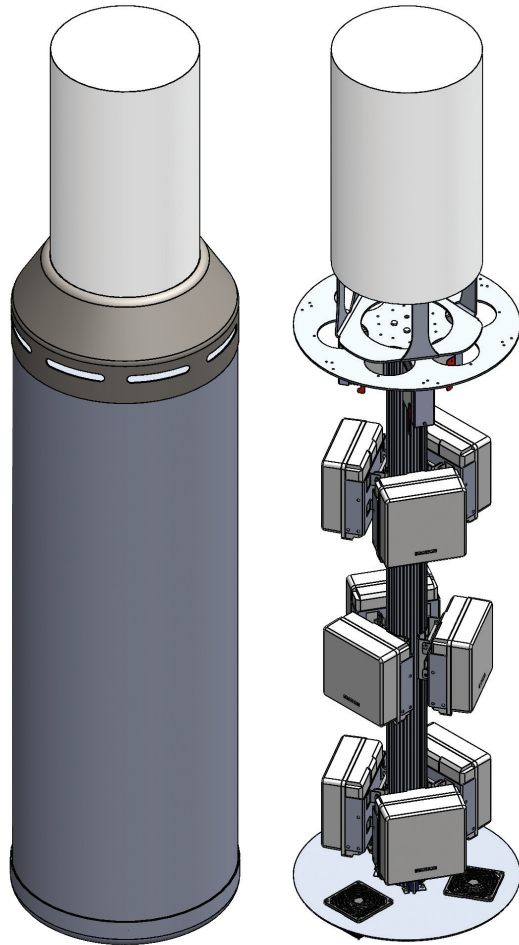


TRUFIELD® POLE TOP CONCEALMENT SHROUD

65"H X 21"D External Canister Version | 63"H Internal Section for Radios
PART # AF000380-65-21-CO-xx-yy



TRUFIELD TECHNOLOGY

- Band agnostic
- True RF and mmW transparency with less than 0.2 dB loss at any angle of incidence up to 60°
- Multi-carrier, multi-tenant ready
- Unzips easily for full 360-degree access
- Lightweight and easy to install
- Climate resilient, durable construction, and extreme UV resistance

FEATURES

- Modular platform - fits most small cell 4G and 5G radios, including one 24" tall canister antenna
- Integrated 115VAC PDU for up to 9 radios (48VDC version also available)
- Integrated ventilation system - up to 2300W internal heat-load (thermals to be verified with specific radios), additional fans needed above
- Bracket interface mounts to various pole types
- 5 standard colors: Brown, Black, Beige, Green, Grey (other colors available upon request)

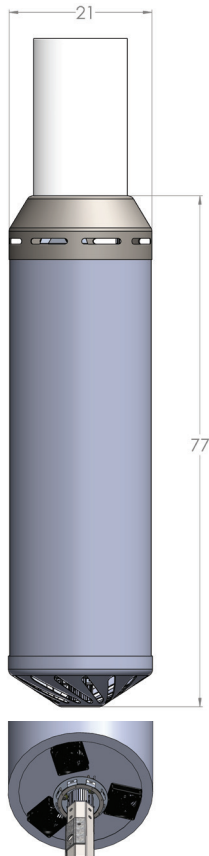
PHYSICAL SPECIFICATIONS

| | |
|-----------------------------|--|
| Dimensions | 99" x 21" total, 63" x 21" internal equipment space |
| Weight | 45lbs (shroud system only), 400lbs max fully loaded |
| Colors | BR -Brown, BL -Black, BE -Beige, GR -Green, GY -Grey: xx in part number (others upon request) |
| Equipment heat-load (kW) | Up to 2300W* |
| Operating Temperature Range | Min -30° C to Max 46° C* |
| Storage Temperature Range | Min -40° C to Max 70° C |

*Subject to radio specifications. Optional additional ventilation possible - if necessary

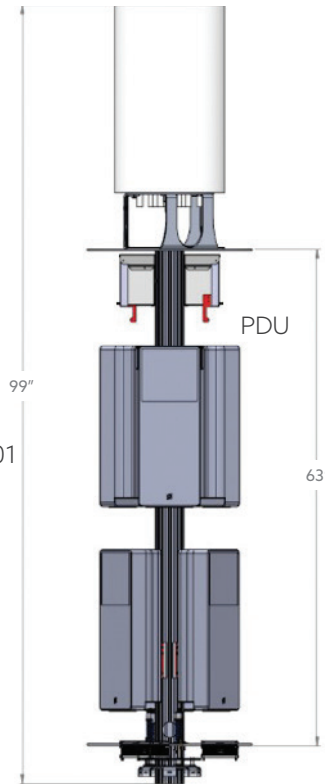
DIMENSIONS AND EQUIPMENT SET-UP OPTIONS

PART # AF000380-65-21-CO-XX-YY



BOTTOM VIEW *(protection cone removed)*

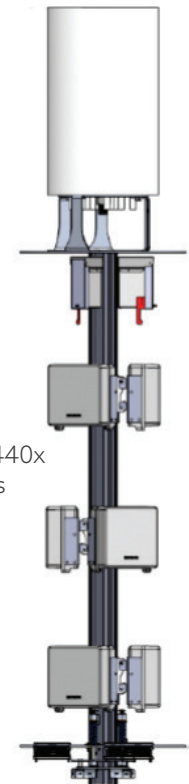
- Bracket interface: bracket mates with shroud center shaft. Optional pole specific brackets available
- Fabric tensioning gear uses spanner tool



Ericsson 6701 Radios

INTERNAL VIEW

- Bottom section of 63" for radios
- All power RF and fiber cabling run either inside center shaft & pole or outside shaft through bottom fan plate



Ericsson 440x Radios

NOTE: Each configuration includes radios and canister bracket set, 2 PDUs and fan ventilation system.

FIELD REPLACEABLE PARTS

| | |
|-------------------|--|
| PF000013-65-21-xx | TruField shroud, color: xx |
| AS000222 | AF000380 shroud 3 fan assembly |
| AS000207 | AC PDU assembly, 3 loads + 1 fan outputs |
| PF000016-21-xx | Shroud bottom cone, color: xx |
| PF000014-24-xx | Shroud top cover, color: xx |

POSSIBLE RADIO CONFIGURATIONS

(yy in part number)

| | |
|-----|---|
| E1 | 6x Ericsson 6701 mmWave radios |
| E2 | 3x Ericsson 6701 mmWave radios and 3x 440x |
| E3 | 6x Ericsson 6705 mmWave radios |
| E4 | 3x Ericsson 6705 mmWave radios and 3x 440x |
| TBD | Other configurations upon request, for example using Samsung AT1K0x up to 6 units or Nokia AEWD & AEWE up to two sets |