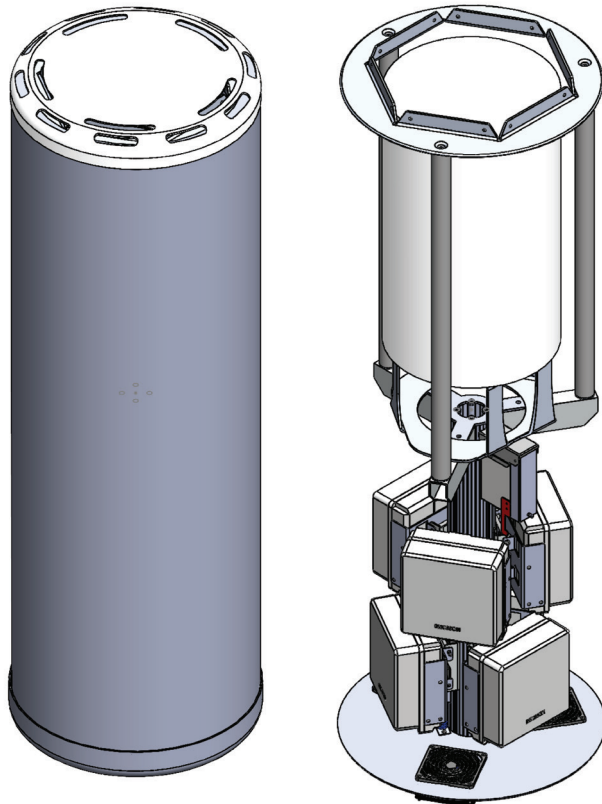


TRUFIELD® POLE TOP CONCEALMENT SHROUD

65"H X 21"D Internal Canister Version | 29"H Internal Section for Radios
PART # AF000380-65-21-xx-yy



TRUFIELD TECHNOLOGY

- Band agnostic
- True RF and mmW transparency with less than 0.2 dB loss at any angle of incidence up to 60°
- Multi-carrier, multi-tenant ready
- Unzips easily for full 360-degree access
- Lightweight and easy to install
- Climate resilient, durable construction, and extreme UV resistance

FEATURES

- Modular platform - fits most small cell 4G/5G radios, including one 24 " tall canister antenna
- Integrated 115VAC PDU for up to 6 radios (48VDC version also available)
- Integrated ventilation system - up to 2300W internal heat-load (thermals to be verified with specific radios)
- Bracket interface mounts to various pole types
- Standard Colors: Brown, Black, Beige, Green, Grey (other colors available upon request)

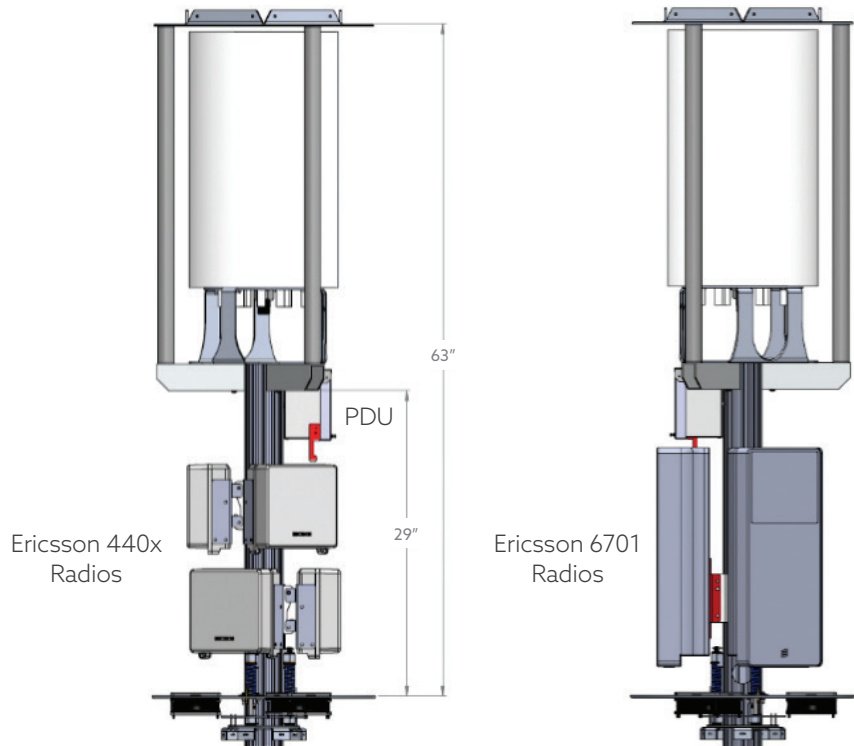
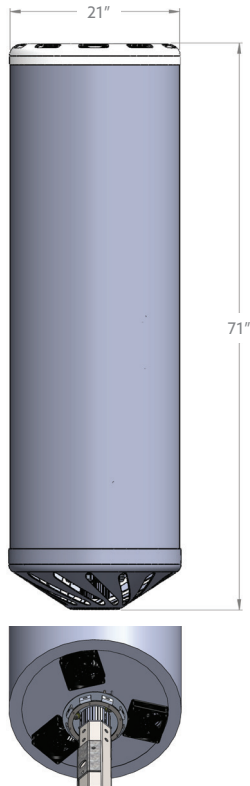
PHYSICAL SPECIFICATIONS

Dimensions	71" x 21" total, 63" x 21" internal equipment space
Weight (without radios/antennas)	43 lbs.
Colors	BR -Brown, BL -Black, BE -Beige, GR -Green, GY -Grey: xx in part number (others upon request)
Equipment heat-load (kW)	Up to 2300W*
Operating Temperature Range	Min -30° C to Max 46° C*
Storage Temperature Range	Min -40° C to Max 70° C

*Subject to radio specifications

DIMENSIONS AND EQUIPMENT SET-UP OPTIONS

PART # AF000380-65-21-xx-yy



BOTTOM VIEW *(protection cone removed)*

- Bracket interface: bracket mates with shroud center shaft. Optional pole specific brackets available
- Fabric tensioning gear uses spanner tool

INTERNAL VIEW

- Top section - 32" H for canister antenna and RF cable connections
- Bottom section - 29" for radios
- All power RF and fiber cabling run inside center shaft and pole or outside shaft through bottom fan plate

NOTE: Each configuration includes radios and canister bracket set, 2 PDUs and fan ventilation system

FIELD REPLACEABLE PARTS

PF000013-65-21-xx	TruField shroud, color: xx
AS000222	AF000380 shroud 3 fan assembly
AS000207	AC PDU assembly, 3 loads + 1 fan outputs
PF000016-21-xx	Shroud bottom cone, color: xx
PF000014-24-xx	Shroud top cover, color: xx

POSSIBLE RADIO CONFIGURATIONS

(yy in part number)

E 6	3x Ericsson 6701 mmWave radios
E 5	Up to 6x Ericsson 440x
E 7	3x Ericsson 6705 mmWave radios
TBD	Other configurations upon request, for example using Samsung AT1K0x up to 6 units or Nokia AEWD & AEWE up to two sets