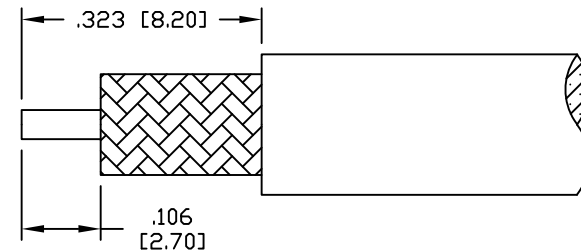
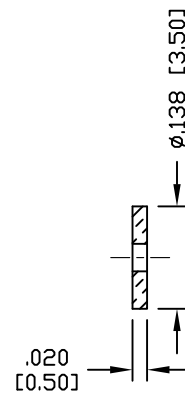
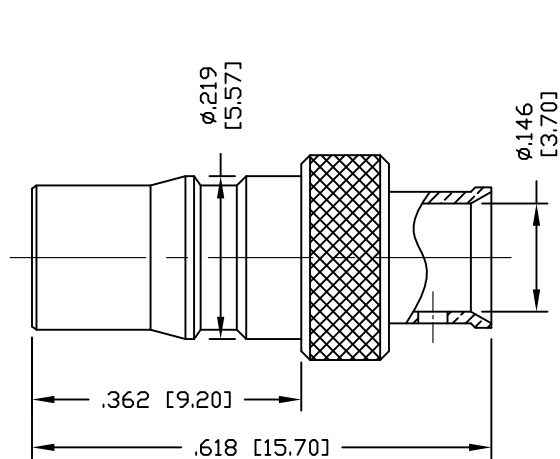


PART NO.

ROA-QFDCP-SR2

REV	DESCRIPTION	DWN	DATE	APPROVED
-	ENGINEERING RELEASE	CZ	08/11/22	JDMc



RECOMMENDED STRIPPING DIMENSIONS

SPECIFICATIONS:

IMPEDANCE: 50 Ohms

FREQUENCY RANGE: 0-6 GHz

3rd ORDER IM: ≤ -155 dBc @ 700 MHz & 1900 MHz

3rd ORDER IM TEST METHOD: 2x43dBm CARRIERS

VSWR: ≤ 1.15 @ 3 GHz

WORKING VOLTAGE: 250 VRMS

INSULATION RESISTANCE: 5k M Ω

TEMPERATURE RANGE: -65°C TO 165°C

FOR .141 SEMI RIGID, RG-402/U, BELDEN 1673A, TFT-402-LF & TFT-402 PLENUM CABLE

4	CONTACT	1	BeCu	SILVER
3	SPACER	1	PTFE	NATURAL
2	INSULATOR	1	PTFE	NATURAL
1	BODY	1	BRASS	CuSnZn
#	DESCRIPTION	QTY	MATERIAL	FINISH

CUSTOMER
OUTLINE DRAWINGALL DIMENSIONS
ARE REFERENCE ONLYUNLESS OTHERWISE SPECIFIED:
DIMENSIONS ARE IN INCHES
AND [MILLIMETERS]DRAWN
C. ZUÑIGA 08/11/22

CHECKED

ORJ DRAWN
C. ZUÑIGA 08/11/22**RoHS**
COMPLIANTPROPRIETARY AND CONFIDENTIAL
THIS DRAWING CONTAINS
INFORMATION PROPRIETARY TO
RF INDUSTRIES, ANY
UNAUTHORIZED USE OF THIS
DRAWING IS EXPRESSLY
PROHIBITED WITHOUT WRITTEN
PERMISSION FROM RF
INDUSTRIES. ANY VIOLATION IS
PUNISHABLE UNDER U.S.
COPYRIGHT LAWS.

RFconnectors
DIVISION OF RF INDUSTRIES, LTD. (858) 549-6345 FAX

RFINDUSTRIES.COM
7610 MIRAMAR RD.
SAN DIEGO, CA 92126
(858) 549-6340

QMA FEMALE
CAPTIVE PIN - DIRECT SOLDERDWG # **RQA-QFDCP-SR2**

CABLE GROUP	CONTROL #	SCALE	FORMAT	SHEET	REVISION
SR2	000000	NTS	A	1 OF 1	-