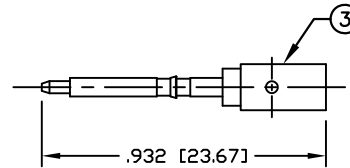
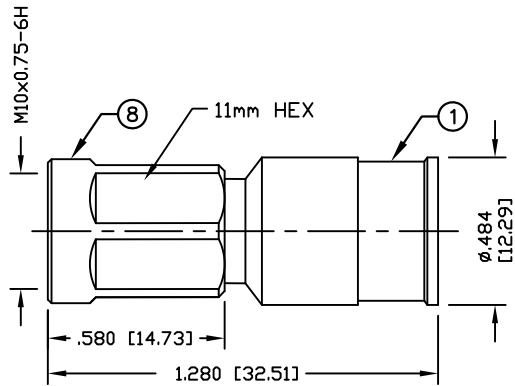
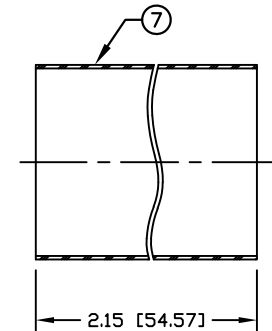
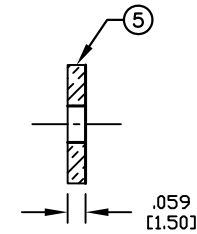


PART NO.

TC-375-NX10M-LP

REV	DESCRIPTION	DWN	DATE	APPROVED
-	ENGINEERING RELEASE	CZ	01/17/23	JDMc

SOLDER ONLYSPECIFICATIONS:

IMPEDANCE: 50 Ohms

FREQUENCY RANGE: 0-6 GHz

INSERTION LOSS(dB): $-0.1 \times \sqrt{f(\text{GHz})}$ VSWR: ≤ 1.30 3rd ORDER IM: $\leq -160\text{dBc}$ (RELATIVE TO CARRIER)

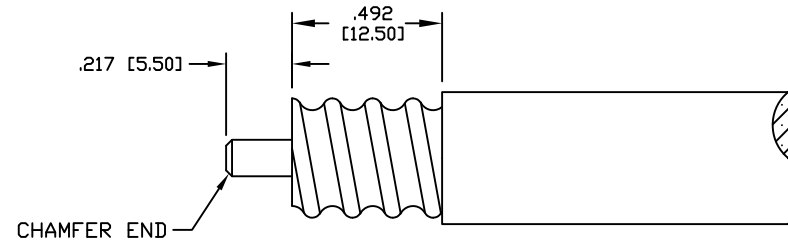
3rd ORDER IM TEST METHOD: 2x43dBm CARRIERS

WORKING VOLTAGE: 2500V

INSULATION RESISTANCE: $\geq 10\text{K M}\Omega$ TEMPERATURE RANGE: -40°C TO 125°C

H8 CABLE GROUP: FSJ2-50, LDF2-50, SCF38-50J, SPF-375,

SPO-375 & SPP-375 CABLE

RECOMMENDED STRIPING DIMENSIONS

NOTE: LCF38-50J IS PART OF H8 GROUP, BUT WON'T FIT INTO THIS CONNECTOR

#	DESCRIPTION	QTY	MATERIAL	FINISH
8	COUPLING NUT	1	BRASS	CuSnZn
7	TUBING	1	HEAT SHRINK	BLACK
6	GROUND RING	1	BRONZE	SILVER
5	INSULATOR	1	PTFE	NATURAL
4	GASKET	1	SILICONE	BLACK
3	PIN	1	BRASS	SILVER
2	INSULATOR	1	PTFE	NATURAL
1	BODY	1	BRASS	CuSnZn

CUSTOMER
OUTLINE DRAWINGALL DIMENSIONS
ARE REFERENCE ONLYUNLESS OTHERWISE SPECIFIED:
DIMENSIONS ARE IN INCHES
AND [MILLIMETERS]DRAWN
C. ZUÑIGA 01/17/23

CHECKED

ORJ DRAWN
C. ZUÑIGA 01/17/23**RoHS
COMPLIANT**

PROPRIETARY AND CONFIDENTIAL

THIS DRAWING CONTAINS
INFORMATION PROPRIETARY TO
RF INDUSTRIES. ANY
UNAUTHORIZED USE OF THIS
DRAWING IS EXPRESSLY
PROHIBITED WITHOUT WRITTEN
PERMISSION FROM RF
INDUSTRIES. ANY VIOLATION IS
PUNISHABLE UNDER U.S.
COPYRIGHT LAWS.

RFconnectors
DIVISION OF RF INDUSTRIES, LTD. SAN DIEGO, CALIFORNIA

RFINDUSTRIES.COM
(858) 549-6340
RFI@RFINDUSTRIES.COM

NEX10 PLUG

DIRECT SOLDER FOR 3/8" SUPERFLEX CABLE

DWG #

TC-375-NX10M-LP

CABLE GROUP	CONTROL #	SCALE	FORMAT	SHEET	REVISION
H8	000000	NTS	A	1 OF 1	-

ALL PIM TESTED CABLE ASSEMBLIES