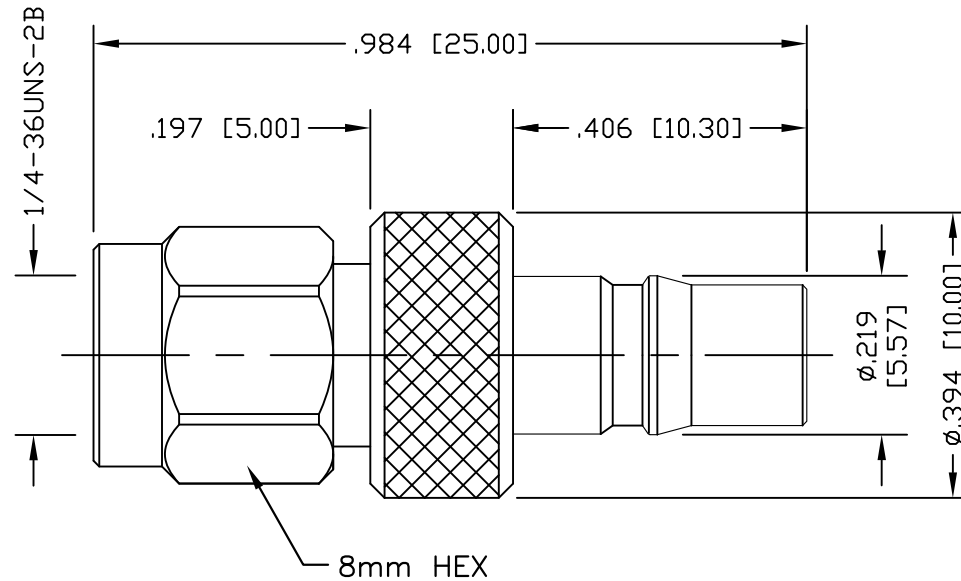


PART NO.

RQA-5408

REV	DESCRIPTION	ECO/ECN	DATE	APPROVED
-	ENGINEERING RELEASE	----	07/24/23	JDM

SPECIFICATIONS:

IMPEDANCE: 50 Ohms
 FREQUENCY RANGE: 0-6 GHz
 INSULATION RESISTANCE: 5k M Ohms min.
 TEMPERATURE RANGE: -65°C TO 85°C

6	SHELL	1	BRASS	NICKEL
5	GASKET	1	SI RUBBER	ORANGE
4	RETAINING RING	1	BeCu	NATURAL
3	CONTACT	1	BeCu	GOLD
2	INSULATOR	1	PTFE	NATURAL
1	BODY	1	BRASS	NICKEL
#	DESCRIPTION	QTY	MATERIAL	FINISH

CUSTOMER
OUTLINE DRAWINGALL DIMENSIONS
ARE REFERENCE ONLYUNLESS OTHERWISE SPECIFIED:
DIMENSIONS ARE IN INCHES
AND [MILLIMETERS]DRAWN
C. ZUÑIGA 07/24/23

CHECKED

ORJ DRAWN
C. ZUÑIGA 07/24/23**RoHS**
COMPLIANT

PROPRIETARY AND CONFIDENTIAL
 THIS DRAWING CONTAINS
 INFORMATION PROPRIETARY TO
 RF INDUSTRIES, ANY
 UNAUTHORIZED USE OF THIS
 DRAWING IS EXPRESSLY
 PROHIBITED WITHOUT WRITTEN
 PERMISSION FROM RF
 INDUSTRIES. ANY VIOLATION IS
 PUNISHABLE UNDER U.S.
 COPYRIGHT LAWS.

RFconnectors
 DIVISION OF RF INDUSTRIES, LTD. SAN DIEGO, CALIFORNIA
 RFINDUSTRIES.COM
 (858) 549-6340
 RFI@RFINDUSTRIES.COM

**SMA PLUG TO
 QMA JACK ADAPTER**

DWG # **RQA-5408**

CABLE GROUP	CONTROL #	SCALE	FORMAT	SHEET	REVISION
N/A	000000	NTS	A	1 OF 1	-