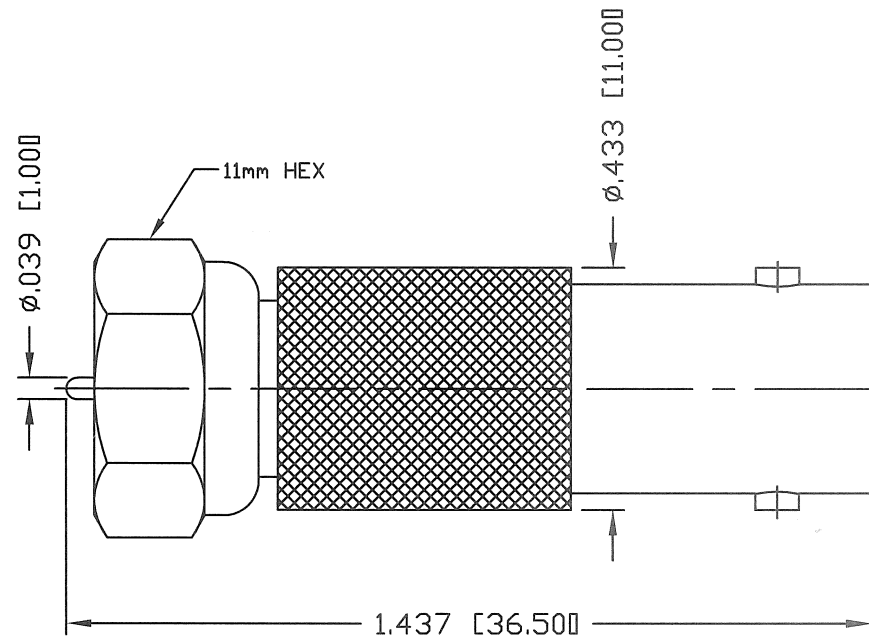


PART NO.

RFB-1144

REV	DESCRIPTION	ECO/ECN	DATE	APPROVED
A	UPDATED ELECTRICAL SPECS & DWG FORMAT	1016	08/30/23	JDM

**SPECIFICATIONS:**

IMPEDANCE: 75 OHM
 FREQUENCY RANGE: 0-1 GHz
 WORKING VOLTAGE: 500 V rms @ sea level
 TEMPERATURE RANGE: -65°C TO 165°C
 INSULATION RESISTANCE: 5k M Ohms min.

5	SHELL	1	BRASS	NICKEL
4	INSULATOR	1	DELTRIN	NATURAL
3	CONTACT	1	BRASS	GOLD
2	INSULATOR	1	DELTRIN	NATURAL
1	BODY	1	BRASS	NICKEL
#	DESCRIPTION	QTY	MATERIAL	FINISH

CUSTOMER
OUTLINE DRAWINGALL DIMENSIONS
ARE REFERENCE ONLYUNLESS OTHERWISE SPECIFIED:
DIMENSIONS ARE IN INCHES
AND [MILLIMETERS]

DRAWN	C. ZUÑIGA	08/30/23
CHECKED		
ORJ DRAWN	C. ZUÑIGA	04/12/02

**RoHS
COMPLIANT**

PROPRIETARY AND CONFIDENTIAL
 THIS DRAWING CONTAINS
 INFORMATION PROPRIETARY TO
 RF INDUSTRIES. ANY
 UNAUTHORIZED USE OF THIS
 DRAWING IS EXPRESSLY
 PROHIBITED WITHOUT WRITTEN
 PERMISSION FROM RF
 INDUSTRIES. ANY VIOLATION IS
 PUNISHABLE UNDER U.S.
 COPYRIGHT LAWS.

RFconnectors
 DIVISION OF RF INDUSTRIES, LTD. SAN DIEGO, CALIFORNIA
 RFINDUSTRIES.COM
 (858) 549-6340
 RF@RFINDUSTRIES.COM

F PLUG TO BNC JACK

75 OHM ADAPTER

DWG #

RFB-1144

CABLE GROUP	CONTROL #	SCALE	FORMAT	SHEET	REVISION
N/A	000000	NTS	A	1 OF 1	A