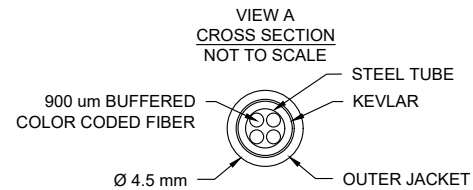
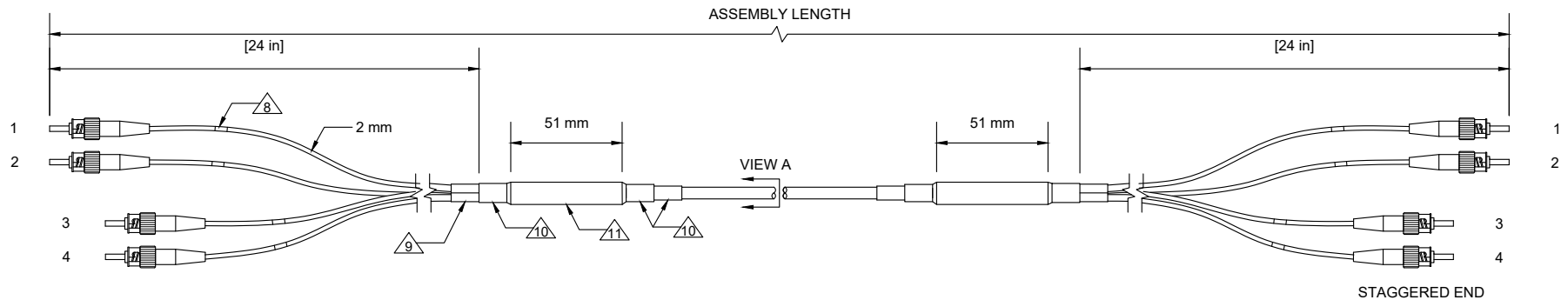


NOTES: UNLESS OTHERWISE SPECIFIED

1. MATERIALS AND COMPONENTS ARE RoHS/REACH COMPLIANT.
2. CONNECTORS MEET THE REQUIREMENTS OF ANSI/TIA 568-C.3
3. 100% TESTED FOR OPTICAL PERFORMANCE, END FACE CRITERIA AND CLEANLINESS.
4. CABLE ASSEMBLIES ARE MANUFACTURED TO C ENTERPRISES STANDARDS.
5. STANDARDS AND SPECIFICATIONS AVAILABLE UPON REQUEST.
7. STAGGERED END WITH PULLING EYE
 - 7.1. CONNECTOR PAIRS STAGGERED BY 1 INCH INCREMENTS.
 - 7.2. PAIRS STAGGER ALTERNATE BY INCREASING AND DECREASING FROM DEFINED BREAKOUT LENGTH.
 - 7.3. PAIRS 1-2 LONGEST: 24". PAIRS 3-4 SHORTEST: 23".

- 8 FIBER LEG LABEL. PLACED APPROX. 6 INCHES FROM CONNECTOR. 8 PLACES.
- 9 HEAT SHRINK FOR STRAIN RELIEF. 2 PLACES.
- 10 HEAT SHRINK. 2 PLACES.
- 11 C-BREAK. OVERALL DIAMETER: 10 mm. 2 PLACES.

REV	ECR	DESCRIPTION	BY	DATE	CHECKED
A	-	INITIAL RELEASE	M. K	02/19/2018	A.J.




EXAMPLE OF PULLING EYE



BILL OF MATERIALS

ITEM	QTY	COMPONENT
5	1	MULTIMODE TEST REPORT.
4	2	PULLING EYE: STAGGERED CONNECTORS.
3	2	C-BREAK 2: SINGLE LEG BREAKOUT: 2 mm FURCATION, ORANGE.
2	AR	MULTIMODE OM1 4-FIBER MICRO-ARMOR™ OFCP INDOOR CABLE; ORANGE: PERFORMA, CORNING GLASS AND PRINT.
1	12	ST PC POLISH, METAL HOUSING, BLACK BOOT: PERFORMA.

TEST LIMITS AT 1300 nm			
MAX. I.L.	TYP. I.L.	MIN. R.L.	TYP. R.L.
≤0.75dB	0.20dB	N/A	N/A

DESCRIPTION: ST/ST PC POLISH, MULTIMODE OM1 4 FIBER OFCP INDOOR MICRO-ARMOR™ CABLE, SINGLE LEG BREAKOUT: 2 mm FURCATION, 2 PULLING EYES: STAGGERED CONNECTORS.			
DRAWN BY:	M. KHANFIR	02/19/2018	 <p>C ENTERPRISES 2445 CADES WAY VISTA CA 92081 760-599-5111</p>
APVD BY:	A. JENSEN	02/20/2018	
DIMENSIONS: METRIC [IMPERIAL]		TITLE: ST/ST OM1 MICRO-ARMOR™ INDOOR 4 FIBER ASM.	
PROPRIETARY AND CONFIDENTIAL THIS DOCUMENT CONTAINS PROPRIETARY INFORMATION OF C ENTERPRISES. NOT TO BE USED, COPIED, OR DISCLOSED WITHOUT WRITTEN PERMISSION. ALL RIGHTS RESERVED.		SIZE A	DWG. NO. MPPN04STSTFRQPX
		SCALE: NOT TO SCALE	REV A
		SHEET 1 OF 1	