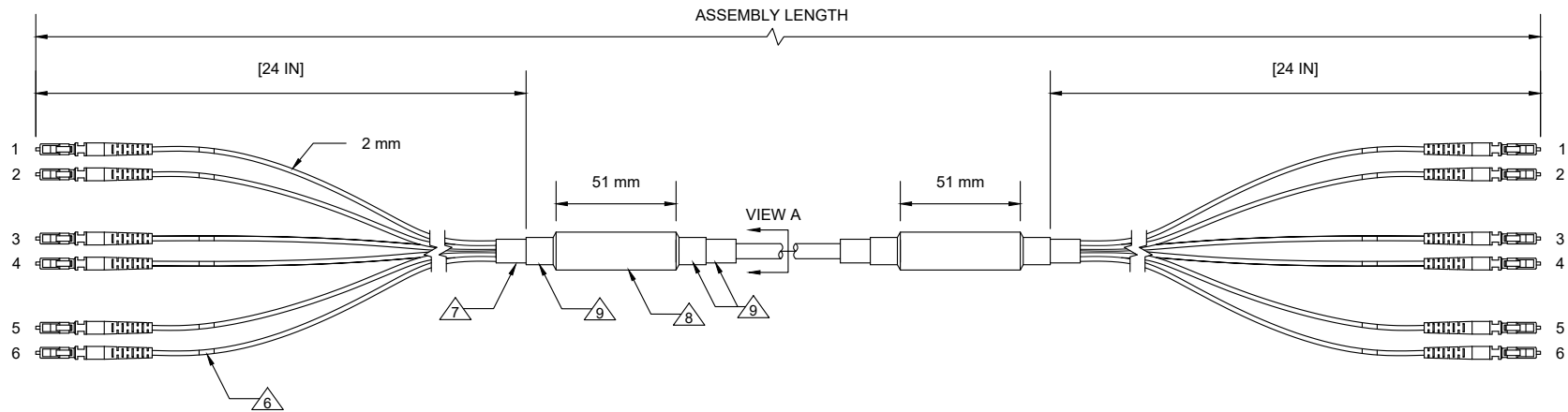


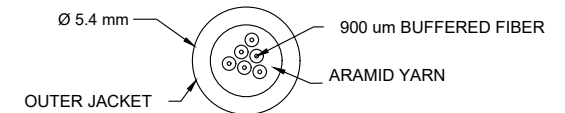
NOTES: UNLESS OTHERWISE SPECIFIED

1. MATERIALS AND COMPONENTS ARE RoHS/REACH COMPLIANT.
2. CONNECTORS MEET THE REQUIREMENTS OF ANSI/TIA 568-C.3
3. 100% TESTED FOR OPTICAL PERFORMANCE, END FACE CRITERIA AND CLEANLINESS.
4. CABLE ASSEMBLIES ARE MANUFACTURED TO C ENTERPRISES STANDARDS.
5. STANDARDS AND SPECIFICATIONS AVAILABLE UPON REQUEST.
6. FIBER LEG LABEL. PLACED APPROX. 6 INCHES FROM CONNECTOR TIP. 12 PLACES.
7. HEAT SHRINK FOR STRAIN RELIEF. 2 PLACES.
8. SINGLE LEG BREAKOUT. OVERALL DIAMETER: 14 mm. 2 PLACES.
9. HEAT SHRINK. 6 PLACES.

REV	ECR	DESCRIPTION	BY	DATE	CHECKED
A	-	INITIAL RELEASE	K.T.	08/20/2019	A.J.



VIEW A
CROSS SECTION
NOT TO SCALE



DESCRIPTION: LC-NO CLIP PC / LC-NO CLIP PC, x 6-FIBER OM3 MULTIMODE OFNP IN/OUT CABLE, SINGLE LEG BREAKOUTS 2 mm FURCATION, PERFORMA.

DRAWN BY: K. THOMAS 08/20/2019
APVD BY: A. JENSEN 08/20/2019



C ENTERPRISES
2445 CADES WAY
VISTA CA 92081
760-599-5111

BILL OF MATERIALS		
ITEM	QTY	COMPONENT
3	2	C BREAK 2: SINGLE LEG BREAKOUT, 2 mm FURCATION; AQUA
2	AR	MULTIMODE OM3 6 FIBER OFNP INDOOR/OUTDOOR CABLE; BLACK: PERFORMA
1	12	LC-NO CLIP PC POLISH ; BEIGE HOUSING, WHITE BOOT: PERFORMA

MULTIMODE PC TEST LIMITS AT 1300 nm			
MAX. I.L.	TYP. I.L.	MIN. R.L.	TYP. R.L.
≤0.75dB	0.20dB	N/A	N/A

DIMENSIONS: METRIC [IMPERIAL]		TITLE: LC / LC OM3 OFNP IN/OUT CABLE	
PROPRIETARY AND CONFIDENTIAL THIS DOCUMENT CONTAINS PROPRIETARY INFORMATION OF C ENTERPRISES. NOT TO BE USED, COPIED, OR DISCLOSED WITHOUT WRITTEN PERMISSION. ALL RIGHTS RESERVED.		SIZE A	DWG. NO. JPP006LBLBFXPX
		SCALE: NOT TO SCALE	REV A
		SHEET 1 OF 1	