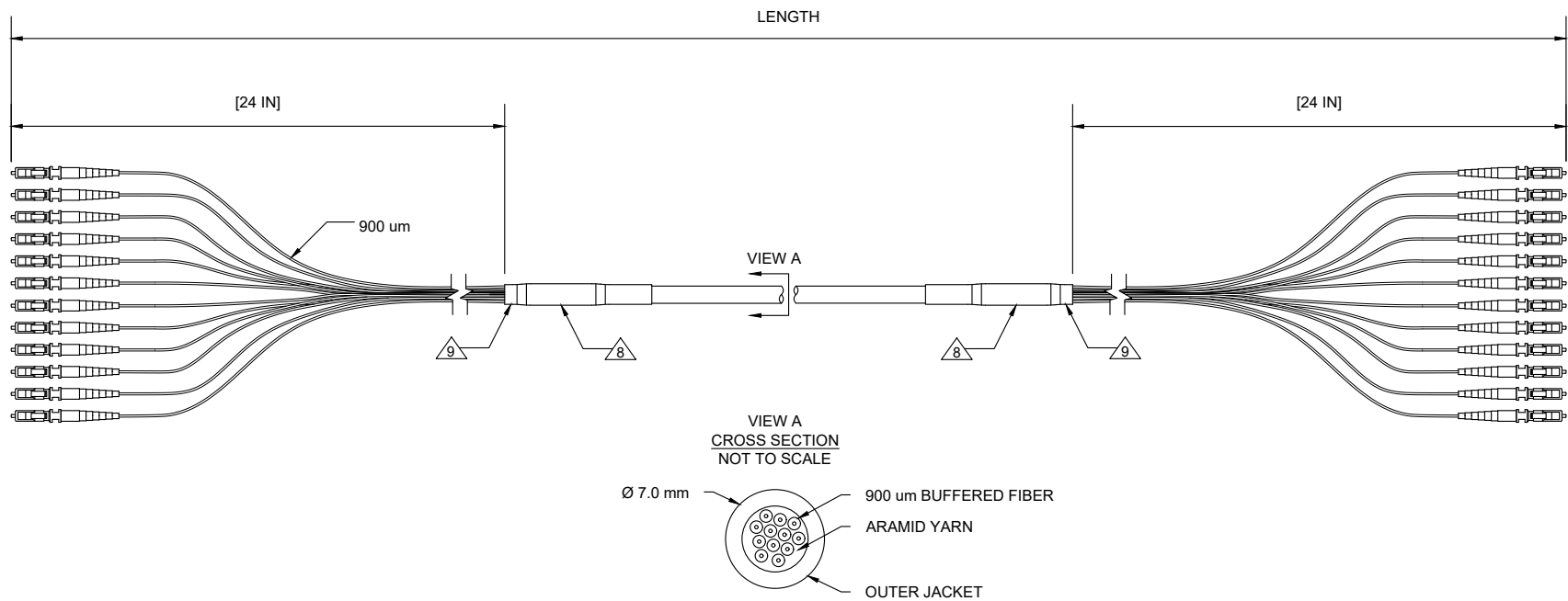


NOTES: UNLESS OTHERWISE SPECIFIED


1. MATERIALS AND COMPONENTS ARE RoHS/REACH COMPLIANT.
2. CONNECTORS MEET THE REQUIREMENTS OF ANSI/TIA 568-C.3
3. 100% TESTED FOR OPTICAL PERFORMANCE, END FACE CRITERIA AND CLEANLINESS.
4. CABLE ASSEMBLIES ARE MANUFACTURED TO C ENTERPRISES STANDARDS.
5. STANDARDS AND SPECIFICATIONS AVAILABLE UPON REQUEST.
6. STANDARD ASSEMBLY DESIGN DEPICTED.
7. REFER TO SALES FOR DESIGN OPTIONS.
8. 900 um BREAKOUT.
9. ARAMID YARN SECURED TO CABLE JACKET UNDER ADHESIVE HEAT SHRINK.

REV	ECR	DESCRIPTION	BY	DATE	CHECKED
A	-	INITIAL RELEASE	K.T.	11/10/2016	A.J.



ADDITIONAL OPTIONS		PRODUCT RANGE	
PULLING EYE	STAGGER	PERFORMA	PERFORMANCE COMPONENTS
LABELS	TEST REPORT	SUPRA	CORNING CABLE
BREAKOUT LENGTH	SPOOLED	ULTRA	CORNING COMPONENTS
BILL OF MATERIALS			
ITEM	QTY	COMPONENT	
3	2	900 um BREAKOUT; COLOR CODED FIBERS	
2	AR	SINGLE-MODE OS2 IN/OUT OFNFP CABLE; BLACK: PERFORMA	
1	24	LC SINGLE-MODE UPC POLISH; BLUE HOUSING, BLUE BOOT: PERFORMA	

TEST LIMITS AT 1310 nm			
MAX. I.L.	TYP. I.L.	MIN. R.L.	TYP. R.L.
<=0.50dB	0.20dB	>=50dB	60dB

DESCRIPTION: LC/LC x 12-FIBER SM UPC OFNP IN/OUT TRUNK w/ 900 um BREAKOUTS			
DRAWN BY:	K. THOMAS	11/08/2016	 C ENTERPRISES 2445 CADES WAY VISTA CA 92081 760-599-5111
APVD BY:	A. JENSEN	11/10/2016	
DIMENSIONS: METRIC [IMPERIAL]		TITLE: IN/OUT LC/LC SM 12 FIBER 900 um	
PROPRIETARY AND CONFIDENTIAL		SIZE	REV
THIS DOCUMENT CONTAINS PROPRIETARY INFORMATION OF C ENTERPRISES. NOT TO BE USED, COPIED, OR DISCLOSED WITHOUT WRITTEN PERMISSION. ALL RIGHTS RESERVED.		A	A
		SCALE: NOT TO SCALE	
		SHEET 1 OF 1	