

NOTES: UNLESS OTHERWISE SPECIFIED

1. C-BREAK 3: 12 FIBERS IN ONE FURCATION TUBE.
  - 1.1. FIBERS IN GROUPS OF 12 ARE CONFIGURED FOR A 12 FIBER MTP ARRAY CONNECTOR.
2. C ENTERPRISES ENGINEERING STANDARDS APPLY.
3. WHEN PULLING EYE REQUESTED, CONNECTORS AND SUBUNITS WILL BE STAGGERED BY DEFAULT.
  - 3.1. CONNECTORS STAGGERED BY 1 INCH INCREMENTS.
  - 3.2. CONNECTOR STAGGER ALTERNATES BY INCREASING AND DECREASING FROM DEFINED BREAKOUT LENGTH.
4. DIAMETERS ASSUME CORNING CABLE. ALTERNATE CABLE MAY CHANGE C-BREAK DIAMETER.
  - 4.1. C-BREAK DIAMETER GENERALLY EXCEEDS CABLE DIAMETER BY 3/16 INCH.
5. MTP FEMALE CONNECTOR SHOWN FOR REFERENCE ONLY.
6. LABEL LEG NUMBER.
7. C-BREAK. SEE TABLE 3 FOR OVERALL DIAMETER.
8. HEAT SHRINK FOR STRAIN RELIEF.

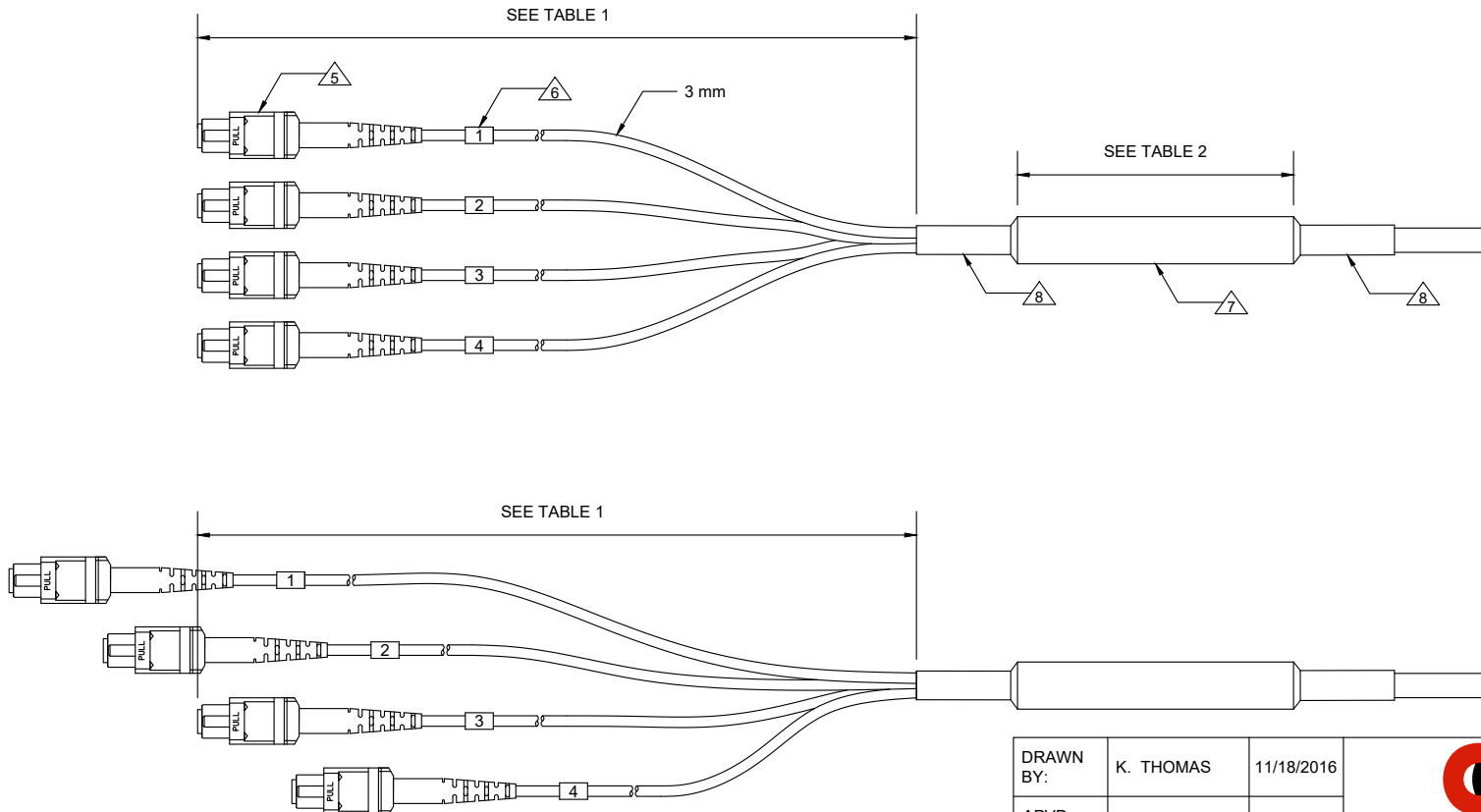
REV	ECR	DESCRIPTION	BY	DATE	CHECKED
A	-	INITIAL RELEASE	J.C.	06/23/2011	-
B	-	DRAWING FORMAT CHANGE & NOTES UPDATE. BLOCK UPDATE	K.T.	08/29/2016	A.J.
B.1	-	UPDATE OF TABLE 3.	K.T.	12/19/2016	A.J.

TABLE 1 BREAKOUT LENGTH	
12 in	
18 in	
24 in [DEFAULT]	
36 in	
48 in	
1 M	
CUSTOM	

TABLE 2 C-BREAK LENGTH	
250 um COATED FIBERS	
LENGTH	FIBER COUNT
2 in	8-24
3 in	48-144

TABLE 3 C-BREAK OVERALL DIAMETER			
FIBERS	MicroD	IN/OUT	OSP
8	N/A	5/8 in	3/4 in
12	N/A	5/8 in	3/4 in
24	1/2 in*	3/4 in	3/4 in
48	N/A	7/8 in	3/4 in
72	N/A	7/8 in	3/4 in
96	N/A	7/8 in	3/4 in
144	N/A	1 in	7/8 in

\* 24 FIBER SIMPLEX 3 mm ONLY  
CORNING IN/OUT OFNP CABLE DOES NOT REQUIRE C-BREAKS.



WITH STAGGERED CONNECTORS

DRAWN BY:	K. THOMAS	11/18/2016
APVD BY:	A. JENSEN	12/19/2016



C ENTERPRISES  
2445 CADES WAY  
VISTA CA 92081  
760-599-5111

DIMENSIONS: METRIC [IMPERIAL]		TITLE: C-BREAK-BK3	
PROPRIETARY AND CONFIDENTIAL	SIZE A	DWG. NO. C-BREAK-BK3	REV B.1
THIS DOCUMENT CONTAINS PROPRIETARY INFORMATION OF C ENTERPRISES. NOT TO BE USED, COPIED, OR DISCLOSED WITHOUT WRITTEN PERMISSION. ALL RIGHTS RESERVED.		SCALE: NOT TO SCALE	SHEET 1 OF 1