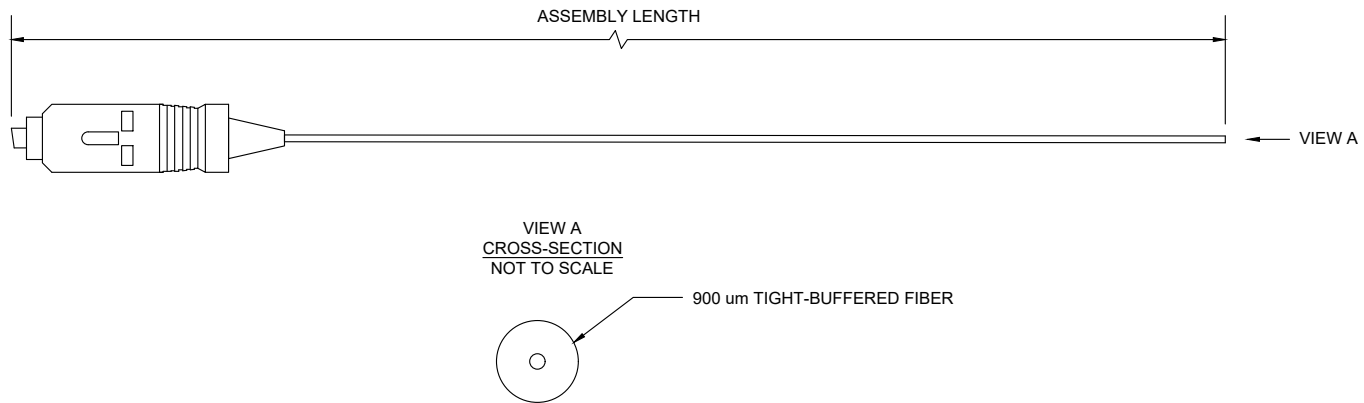



NOTES: UNLESS OTHERWISE SPECIFIED

1. MATERIALS AND COMPONENTS ARE RoHS/REACH COMPLIANT.
2. CONNECTORS MEET THE REQUIREMENTS OF ANSI/TIA 568-C.3
3. 100% TESTED FOR OPTICAL PERFORMANCE, END FACE CRITERIA AND CLEANLINESS.
4. CABLE ASSEMBLIES ARE MANUFACTURED TO C ENTERPRISES STANDARDS.
5. STANDARDS AND SPECIFICATIONS AVAILABLE UPON REQUEST.

REV	ECR	DESCRIPTION	BY	DATE	CHECKED
A	-	INITIAL RELEASE	K.T.	08/10/2018	A.J.



DESCRIPTION: SC APC POLISH / UNTERMINATED SIMPLEX FIBER OS2 900 um TIGHT BUFFER, PERFORMA.					
DRAWN BY:	K. THOMAS	08/10/2018	 <b>C-ENTERPRISES</b> <i>Connecting Today's Infrastructures</i>	C ENTERPRISES 2445 CADES WAY VISTA CA 92081 760-599-5111	
APVD BY:	A. JENSEN	08/10/2018		TITLE: SC/UNTERM OS2 900 um SIMPLEX	
DIMENSIONS: METRIC [IMPERIAL]			SIZE	DWG. NO.	REV
PROPRIETARY AND CONFIDENTIAL THIS DOCUMENT CONTAINS PROPRIETARY INFORMATION OF C ENTERPRISES. NOT TO BE USED, COPIED, OR DISCLOSED WITHOUT WRITTEN PERMISSION. ALL RIGHTS RESERVED.			A	SABS01SBXXXXPX	A
SCALE: NOT TO SCALE				SHEET 1 OF 1	

BILL OF MATERIALS			APC TEST LIMITS AT 1310 nm			
ITEM	QTY	COMPONENT	MAX. I.L.	TYP. I.L.	MIN. R.L.	TYP. R.L.
2	AR	SINGLE-MODE OS2 900 um TIGHT BUFFER SIMPLEX RISER CABLE; YELLOW: PERFORMA				
1	1	SC-APC POLISH; GREEN HOUSING, GREEN BOOT: PERFORMA	≤0.50dB	0.20dB	≥65dB	68dB