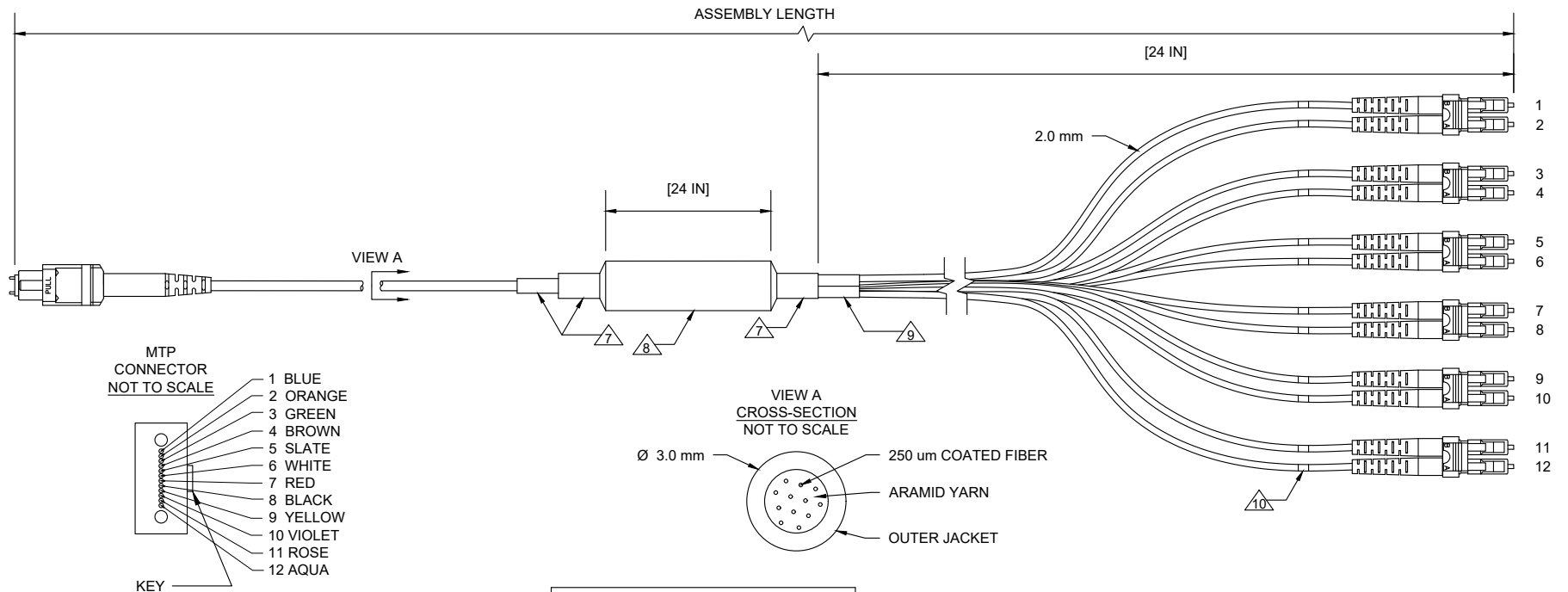



NOTES: UNLESS OTHERWISE SPECIFIED

1. MATERIALS AND COMPONENTS ARE RoHS/REACH COMPLIANT.
2. CONNECTORS MEET THE REQUIREMENTS OF ANSI/TIA 568-C.3
3. 100% TESTED FOR OPTICAL PERFORMANCE, END FACE CRITERIA AND CLEANLINESS.
4. CABLE ASSEMBLIES ARE MANUFACTURED TO C ENTERPRISES STANDARDS.
5. METHOD B POLARITY DEPICTED.
6. STANDARDS AND SPECIFICATIONS AVAILABLE UPON REQUEST.
7. HEAT SHRINK.
8. SINGLE LEG BREAKOUT. OVERALL DIAMETER: 16 mm MAX.
9. HEAT SHRINK FOR STRAIN RELIEF.
10. FIBER LEG LABEL. PLACED APPROX. 6 INCHES FROM CONNECTOR TIP. 12 PLACES.

REV	ECR	DESCRIPTION	BY	DATE	CHECKED
A	-	INITIAL RELEASE	M. K	03/06/2019	A.J.



BILL OF MATERIALS			PC TEST LIMITS AT 1300 nm				DESCRIPTION: MTP- 12 MALE ELITE PC POLISH/LC-CLIPPED PC POLISH x 12-FIBER OM3 OFNP MIC 250, 24in SINGLE LEG BREAKOUT, TEST REPORT, TYPE B POLARITY			
ITEM	QTY	COMPONENT	MAX. I.L.	TYP. I.L.	MIN. R.L.	TYP. R.L.	DRAWN BY:	M. KHANFIR	02/28/2019	
6	1	MULTIMODE PC TEST REPORT					APVD BY:	A. JENSEN	03/06/2019	
5	1	MULTIMODE PC MTP TEST REPORT LOW LOSS	≤0.75dB	0.20dB	N/A	N/A	 C ENTERPRISES 2445 CADES WAY VISTA CA 92081 760-599-5111			
4	1	C-BREAK 2: 24in SINGLE LEG BREAKOUT, 2 mm LEGS, AQUA	MTP PC TEST LIMITS AT 1300 nm							DIMENSIONS: METRIC [IMPERIAL]
3	AR	MULTIMODE OM3 12-FIBER MIC 250 NON SUB-UNITIZED 3.0 mm OFNP CABLE; AQUA: CP&G					MAX. I.L.	TYP. I.L.	MIN. R.L.	TYP. R.L.
2	12	LC-CLIPPED PC POLISH, BEIGE HOUSING, WHITE BOOT: PERFORMA	≤0.35dB	0.20dB	N/A	N/A	PROPRIETARY AND CONFIDENTIAL			
1	1	MTP -12 MALE ELITE MULTIMODE PC POLISH; AQUA HOUSING, BLACK BOOT: CORNING	THIS DOCUMENT CONTAINS PROPRIETARY INFORMATION OF C ENTERPRISES. NOT TO BE USED, COPIED, OR DISCLOSED WITHOUT WRITTEN PERMISSION. ALL RIGHTS RESERVED.				SIZE	DWG. NO.	REV	
							A	JPPG12LCMNRXPX	A	
								SCALE: NOT TO SCALE		SHEET 1 OF 1