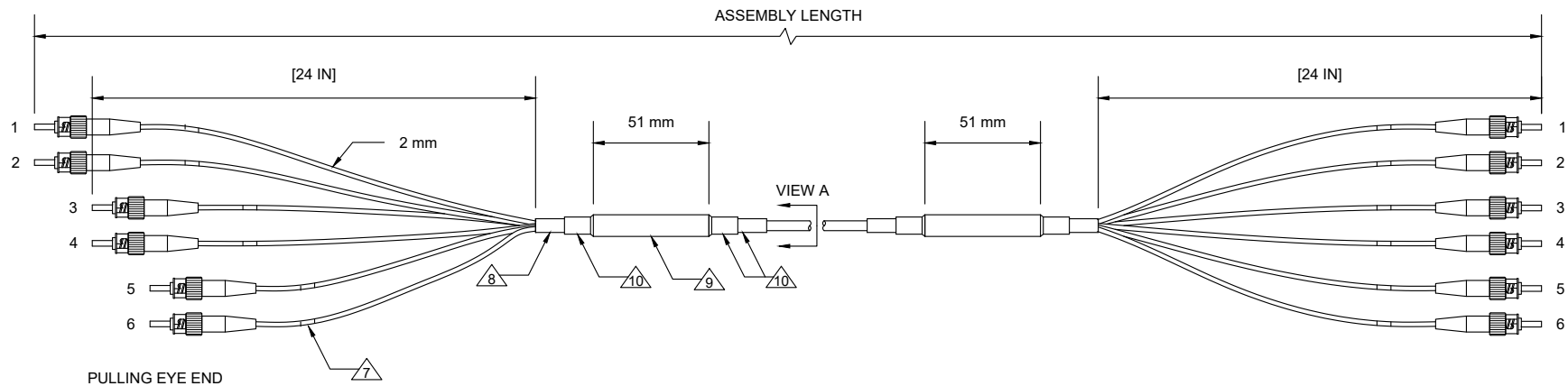


NOTES: UNLESS OTHERWISE SPECIFIED

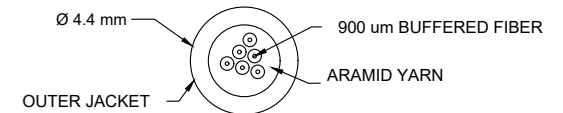
1. MATERIALS AND COMPONENTS ARE RoHS/REACH COMPLIANT.
2. CONNECTORS MEET THE REQUIREMENTS OF ANSI/TIA 568-C.3
3. 100% TESTED FOR OPTICAL PERFORMANCE, END FACE CRITERIA AND CLEANLINESS.
4. CABLE ASSEMBLIES ARE MANUFACTURED TO C ENTERPRISES STANDARDS.
5. STANDARDS AND SPECIFICATIONS AVAILABLE UPON REQUEST.
6. CONNECTOR STAGGER
 - 6.1. CONNECTORS STAGGER IN PAIRS.
 - 6.2. STAGGER ALTERNATES BY INCREASING AND DECREASING FROM DEFINED BREAKOUT LENGTH IN 1 INCH INCREMENTS.
 - 6.3. CONNECTORS 1-2 LONGEST: 25 INCHES. CONNECTORS 5-6 SHORTEST: 23 INCHES.

7. FIBER LEG LABEL. PLACED APPROX. 6 INCHES FROM CONNECTOR TIP. 12 PLACES.
8. HEAT SHRINK FOR STRAIN RELIEF. 2 PLACES.
9. SINGLE LEG BREAKOUT. OVERALL DIAMETER: 10 mm. 2 PLACES.
10. HEAT SHRINK. 6 PLACES.

REV	ECR	DESCRIPTION	BY	DATE	CHECKED
A	-	INITIAL RELEASE	K.T.	10/16/2020	A.J.



VIEW A
CROSS SECTION
NOT TO SCALE



PULLING EYE DEPICTION



BILL OF MATERIALS

ITEM	QTY	COMPONENT
5	1	SPOOL
4	1	PULLING EYE: STAGGERED CONNECTORS
3	2	SINGLE LEG BREAKOUT, 2 mm FURCATION; ORANGE
2	AR	MULTIMODE OM1 6 FIBER OFNR TB INDOOR CABLE; ORANGE: PERFORMA
1	12	ST PC POLISH ; METAL HOUSING, BLACK BOOT: PERFORMA

MULTIMODE PC TEST LIMITS
AT 1300 nm

MAX. I.L.	TYP. I.L.	MIN. R.L.	TYP. R.L.
≤0.75dB	0.20dB	N/A	N/A

DESCRIPTION: ST/ ST PC POLISH, x 6-FIBER OM1 MULTIMODE OFNR INDOOR CABLE, SINGLE LEG BREAKOUTS 2 mm FURCATION,PULLING EYE, STAGGERED CONNECTORS, PERFORMA.

DRAWN BY:	K. THOMAS	10/16/2020
APVD BY:	A. JENSEN	10/16/2020



C ENTERPRISES
2445 CADES WAY
VISTA CA 92081
760-599-5111

DIMENSIONS: METRIC [IMPERIAL]

TITLE: ST/ST OM1 OFNR ASSEMBLY

PROPRIETARY AND CONFIDENTIAL
THIS DOCUMENT CONTAINS PROPRIETARY INFORMATION OF C ENTERPRISES. NOT TO BE USED, COPIED, OR DISCLOSED WITHOUT WRITTEN PERMISSION. ALL RIGHTS RESERVED.

SIZE	DWG. NO.	REV
A	MPRI06STSTFXPPS	A

SCALE: NOT TO SCALE

SHEET 1 OF 1