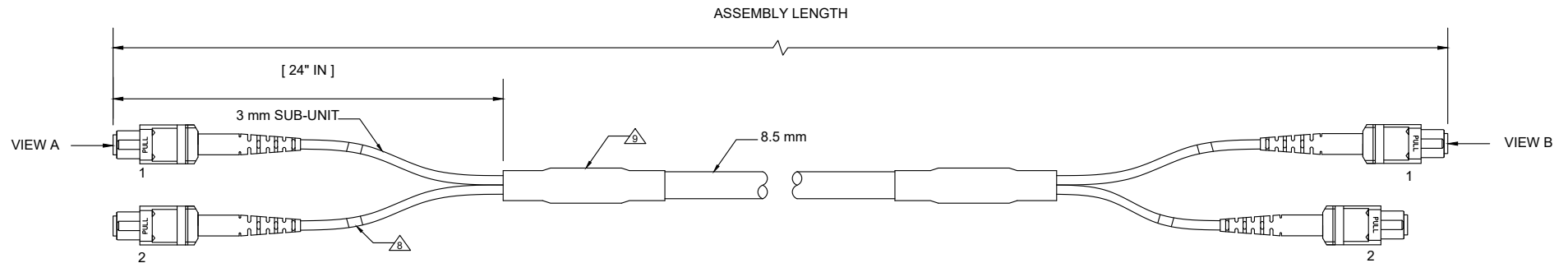


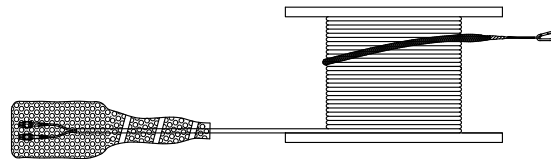
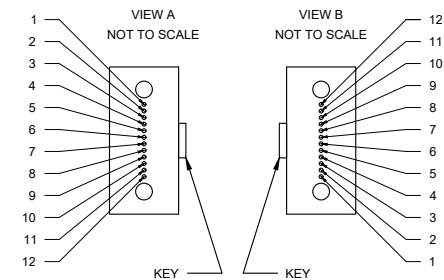
NOTES: UNLESS OTHERWISE SPECIFIED

1. MATERIALS AND COMPONENTS ARE RoHS/REACH COMPLIANT.
2. CONNECTORS MEET THE REQUIREMENTS OF ANSI/TIA 568-C.3
3. 100% TESTED FOR OPTICAL PERFORMANCE, END FACE CRITERIA AND CLEANLINESS.
4. CABLE ASSEMBLIES ARE MANUFACTURED TO C ENTERPRISES STANDARDS.
5. STANDARDS AND SPECIFICATIONS AVAILABLE UPON REQUEST.
6. STAGGERED END WITH PULLING EYE
 - 6.1. CONNECTORS STAGGERED BY 1 INCH INCREMENTS.
 - 6.2. CONNECTOR 1 LONGEST: 25". CONNECTOR 2 SHORTEST: 24".
7. FOR PULLING EYE DETAILS PLEASE REFER TO C PULLING EYE DRAWING.
8. FIBER LEG LABEL. PLACED APPROX. 6 INCHES FROM CONNECTOR TIP. 4 PLACES.
9. HEAT SHRINK FOR STRAIN RELIEF. 2 PLACES.

REV	ECR	DESCRIPTION	BY	DATE	CHECKED
A	-	INITIAL RELEASE	M. K	03/02/2018	A.J.




TYPE B CROSS-OVER		
SIDE 1 CONNECTOR POSITION	FIBER COLOR	SIDE 2 CONNECTOR POSITION
1	BLUE	12
2	ORANGE	11
3	GREEN	10
4	BROWN	9
5	SLATE	8
6	WHITE	7
7	RED	6
8	BLACK	5
9	YELLOW	4
10	VIOLET	3
11	ROSE	2
12	AQUA	1



BILL OF MATERIALS		
ITEM	QTY	COMPONENT
5	1	APC SINGLE-MODE TEST REPORT, CORNING LOW LOSS SPECS
4	1	SPOOL
3	1	PULLING EYE
2	AR	SINGLE-MODE 24-FIBER OFNP MICRO DISTRIBUTION CABLE; YELLOW: PERFORMA, CORNING GLASS AND PRINT
1	4	MTP-12 FEMALE ELITE SINGLE-MODE APC POLISH; GREEN HOUSING, BLACK BOOT: CORNING

APC TEST LIMITS AT 1310 nm.			
MAX. I.L.	TYP. I.L.	MIN. R.L.	TYP. R.L.
≤0.35dB	0.20dB	≥65dB	68dB

DESCRIPTION:		MTP-12 FEMALE ELITE APC POLISH/MTP-12 FEMALE ELITE APC POLISH x 24-FIBER OS2 OFNP W/ CP&G FIBER, TEST REPORT, PULLING EYE W/ STAGGERED END, SPOOLED, POLARITY TYPE B.			
DRAWN BY:	M. KHANFIR	03/02/2018	 C ENTERPRISES 2445 CADES WAY VISTA CA 92081 760-599-5111		
APVD BY:	A. JENSEN	03/02/2018			
DIMENSIONS: METRIC [IMPERIAL]			TITLE: MTP-12 OS2 24-FIBER MIC 250 um		
PROPRIETARY AND CONFIDENTIAL			SIZE	DWG. NO.	REV
THIS DOCUMENT CONTAINS PROPRIETARY INFORMATION OF C ENTERPRISES. NOT TO BE USED, COPIED, OR DISCLOSED WITHOUT WRITTEN PERMISSION. ALL RIGHTS RESERVED.			A	SAPG24MLMLXEPTS	A
			SCALE: NOT TO SCALE		SHEET 1 OF 1