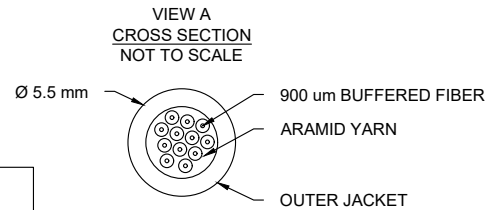
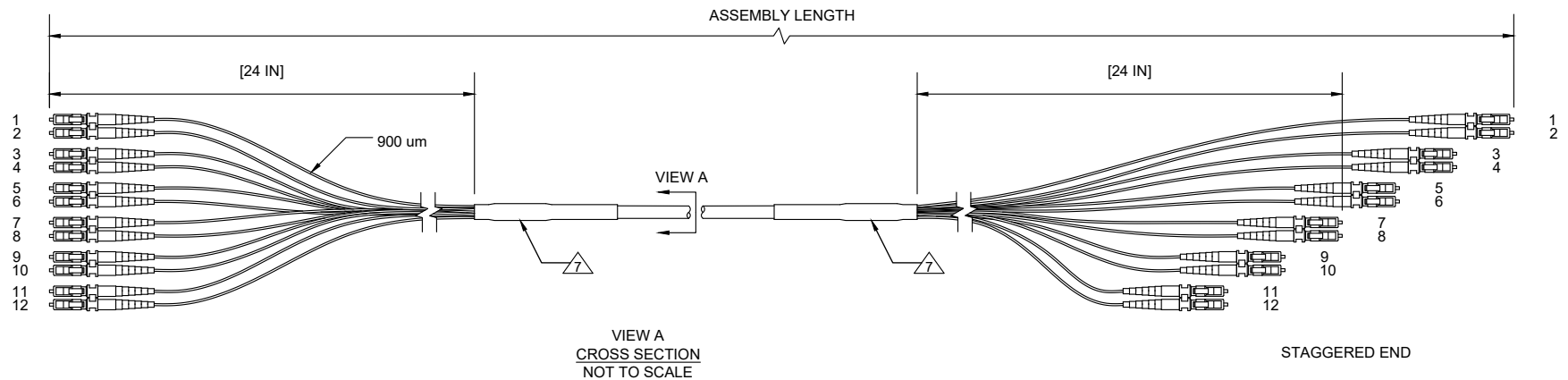


NOTES: UNLESS OTHERWISE SPECIFIED

1. MATERIALS AND COMPONENTS ARE RoHS/REACH COMPLIANT.
2. CONNECTORS MEET THE REQUIREMENTS OF ANSI/TIA 568-C.3
3. 100% TESTED FOR OPTICAL PERFORMANCE, END FACE CRITERIA AND CLEANLINESS.
4. CABLE ASSEMBLIES ARE MANUFACTURED TO C ENTERPRISES STANDARDS.
5. STANDARDS AND SPECIFICATIONS AVAILABLE UPON REQUEST.
6. STAGGERED END WITH PULLING EYE
 - 6.1. CONNECTORS STAGGERED IN PAIRS BY 1 INCH INCREMENTS.
 - 6.2. PAIRS STAGGER ALTERNATE BY INCREASING AND DECREASING FROM DEFINED BREAKOUT LENGTH.
 - 6.3. PAIRS 1-2 LONGEST: 27 INCHES. PAIRS 11-12 SHORTEST: 22 INCHES.

REV	ECR	DESCRIPTION	BY	DATE	CHECKED
A	-	INITIAL RELEASE	K.T.	05/02/2017	A.J.

 HEAT SHRINK.



EXAMPLE OF PULLING EYE



BILL OF MATERIALS

ITEM	QTY	COMPONENT
4	1	MULTIMODE PC TEST REPORT
3	1	PULLING EYE: 12 FIBERS
2	AR	MULTIMODE OM1 12 FIBER OFNP TB DIST CABLE; ORANGE: PERFORMA
1	24	LC-UNCLIPPED PC POLISH CONNECTOR; BIEGE HOUSING, BLACK BOOT: PERFORMA

MULTIMODE TEST LIMITS
AT 1300 nm

MAX. I.L.	TYP. I.L.	MIN. R.L.	TYP. R.L.
≤0.75dB	0.20dB	N/A	N/A

DESCRIPTION: LC-UNCLIPPED PC / LC-UNCLIPPED PC x12-FIBER OM1 OFNP DIST CABLE, 900 um BREAKOUTS, TEST REPORT, PULLING EYE W/ STAGGERED END

DRAWN BY:	K. THOMAS	05/02/2017
APVD BY:	A. JENSEN	05/02/2017



C ENTERPRISES
2445 CADES WAY
VISTA CA 92081
760-599-5111

DIMENSIONS: METRIC [IMPERIAL]

PROPRIETARY AND CONFIDENTIAL
THIS DOCUMENT CONTAINS PROPRIETARY INFORMATION OF C ENTERPRISES. NOT TO BE USED, COPIED, OR DISCLOSED WITHOUT WRITTEN PERMISSION. ALL RIGHTS RESERVED.

TITLE: LC/LC INDOOR OM1 12 FIBER ASM

SIZE	DWG. NO.	REV
A	MPP112LBLB9RPPX	A

SCALE: NOT TO SCALE

SHEET 1 OF 1