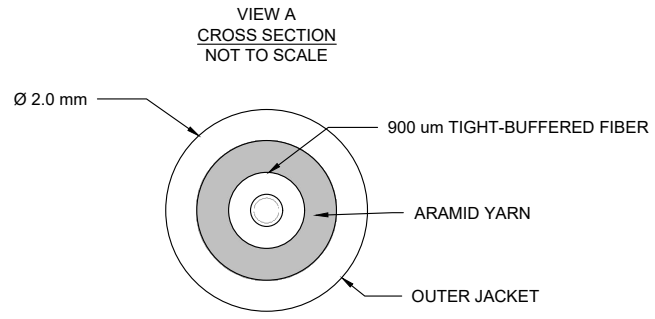
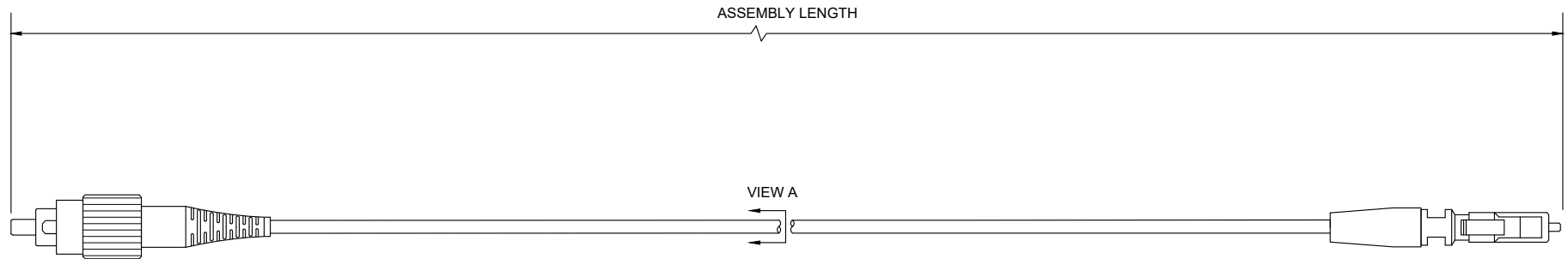


NOTES: UNLESS OTHERWISE SPECIFIED


1. MATERIALS AND COMPONENTS ARE RoHS/REACH COMPLIANT.
2. CONNECTORS MEET THE REQUIREMENTS OF ANSI/TIA 568-C.3
3. 100% TESTED FOR OPTICAL PERFORMANCE, END FACE CRITERIA AND CLEANLINESS.
4. CABLE ASSEMBLIES ARE MANUFACTURED TO C ENTERPRISES STANDARDS.
5. STANDARDS AND SPECIFICATIONS AVAILABLE UPON REQUEST.

REV	ECR	DESCRIPTION	BY	DATE	CHECKED
A	-	INITIAL RELEASE	M. K	01/04/2018	A. J



BILL OF MATERIALS		
ITEM	QTY	COMPONENT
3	AR	SINGLE-MODE OS2 SIMPLEX OFNR 2.0 mm CABLE, YELLOW: PERFORMA
2	1	LC-UNCLIPPED UPC POLISH CONNECTOR; BLUE HOUSING, BLUE SHORT BOOT: PERFORMA
1	1	FC UPC POLISH CONNECTOR; METAL HOUSING, BLUE MINI-RIBBED BOOT: PERFORMA

UPC TEST LIMITS AT 1310 nm			
MAX. I.L.	TYP. I.L.	MIN. R.L.	TYP. R.L.
≤0.50dB	0.20dB	≥50dB	60dB

DESCRIPTION: FC UPC / LC UPC NO-CLIP OS2 2.0 mm SIMPLEX OFNR CABLE, PERFORMA			
DRAWN BY:	M. KHANFIR	01/04/2018	 C ENTERPRISES 2445 CADES WAY VISTA CA 92081 760-599-5111
APVD BY:	A. JENSEN	01/04/2018	
DIMENSIONS: METRIC [IMPERIAL]		TITLE: FC/LC OS2 2.0 mm SIMPLEX OFNR PATCH	
PROPRIETARY AND CONFIDENTIAL		SIZE	REV
THIS DOCUMENT CONTAINS PROPRIETARY INFORMATION OF C ENTERPRISES. NOT TO BE USED, COPIED, OR DISCLOSED WITHOUT WRITTEN PERMISSION. ALL RIGHTS RESERVED.		A	A
		SCALE: NOT TO SCALE	
		SHEET 1 OF 1	