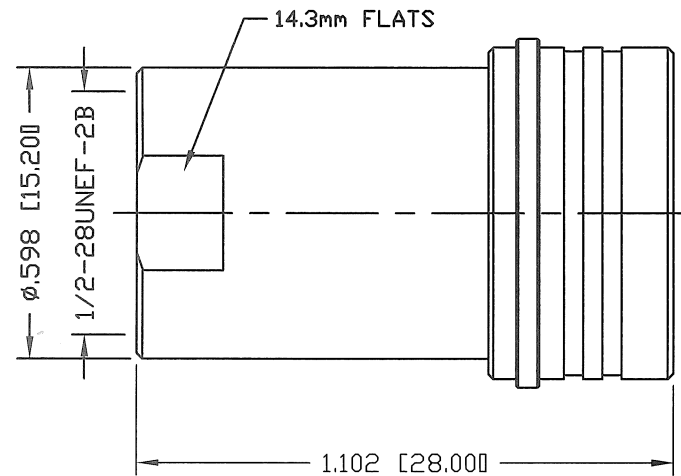


PART NO.

PT-4000-151LP

REV	DESCRIPTION	ECO/ECN	DATE	APPROVED
-	ENGINEERING RELEASE	----	10/25/23	JDM

SPECIFICATIONS:

IMPEDANCE: 50 Ohms
 FREQUENCY RANGE: 0-6 GHz
 3rd ORDER IM: ≤ -160 dBc (RELATIVE TO CARRIER)
 3rd ORDER IM TEST METHOD: 2x43 dBm CARRIERS
 VSWR: 1.25 @ 3 GHz
 VSWR: 1.35 @ 5 GHz
 INSULATION RESISTANCE: 5k M Ω MIN.
 TEMPERATURE RANGE: -40°C TO 85°C
 WORKING VOLTAGE: 500 V rms
 DURABILITY: 500 CYCLES

6	COUPLING NUT	1	BRASS	CuSnZn
5	O-RING	1	SI RUBBER	NATURAL
4	RETAINING RING	1	BeCu	CuSnZn
3	PIN	1	BRASS	SILVER
2	INSULATOR	1	PTFE	NATURAL
1	BODY	1	BRASS	CuSnZn
#	DESCRIPTION	QTY	MATERIAL	FINISH

CUSTOMER
OUTLINE DRAWINGALL DIMENSIONS
ARE REFERENCE ONLYUNLESS OTHERWISE SPECIFIED:
DIMENSIONS ARE IN INCHES
AND [MILLIMETERS]DRAWN
C. ZUÑIGA 10/25/23ORJ DRAWN
C. ZUÑIGA 10/25/23**RoHS**
COMPLIANT

PROPRIETARY AND CONFIDENTIAL
 THIS DRAWING CONTAINS
 INFORMATION PROPRIETARY TO
 RF INDUSTRIES, ANY
 UNAUTHORIZED USE OF THIS
 DRAWING IS EXPRESSLY
 PROHIBITED WITHOUT WRITTEN
 PERMISSION FROM RF
 INDUSTRIES. ANY VIOLATION IS
 PUNISHABLE UNDER U.S.
 COPYRIGHT LAWS.

RFconnectors
 DIVISION OF RF INDUSTRIES, LTD. SAN DIEGO, CALIFORNIA
 RFINDUSTRIES.COM
 (858) 549-6340
 RF@RFINDUSTRIES.COM

UNIDAPT TO QN MALE
 ADAPTER

DWG #

PT-4000-151LP

CABLE GROUP	CONTROL #	SCALE	FORMAT	SHEET	REVISION
N/A	000000	NTS	A	1 OF 1	-