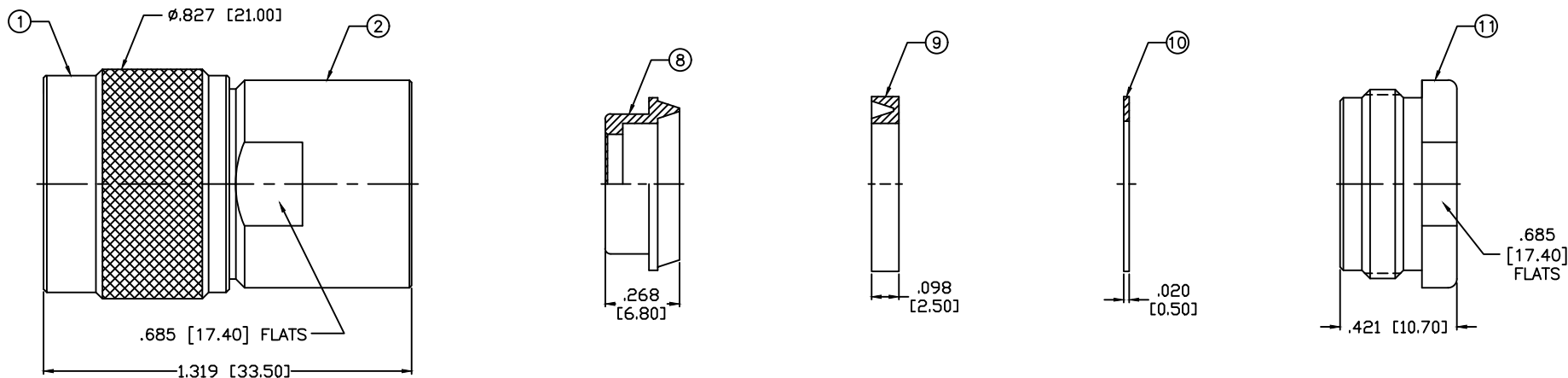


THIS DRAWING CONTAINS INFORMATION PROPRIETARY TO RF INDUSTRIES.  
 ANY UNAUTHORIZED USE OF THIS DRAWING IS EXPRESSLY PROHIBITED  
 WITHOUT WRITTEN PERMISSION FROM RF INDUSTRIES.  
 ANY VIOLATION IS PUNISHABLE UNDER U.S. COPYRIGHT LAWS.

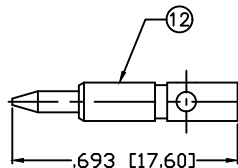
ALL DIMENSIONS ARE REFERENCE ONLY

PART NO.		RFN-1002-1N		
REV	DESCRIPTION	DWN	DATE	APPROVED
A	ENGINEERING RELEASE	CZS	9/2/99	R. RICE
B	CHANGE FORMAT, SPECS & DWG # 9239	GGG	7/15/02	JDMc

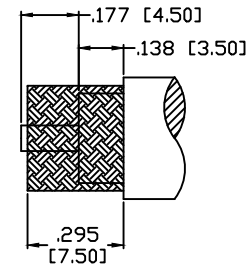


**SPECIFICATIONS:**

IMPEDANCE: 50 Ohms  
 FREQUENCY RANGE: 0-11 GHz  
 INSERTION LOSS: .06 dB Max.  $X \sqrt{fGHz}$   
 WORKING VOLTAGE: 1k V rms @ sea level  
 TEMPERATURE RANGE: -65°C TO 85°C  
 INSULATION RESISTANCE: 5k M Ohms min.  
 FOR RG-8, 8A, 213/U, BELDEN 8237, 8267, 9251 & 9880



RECOMMENDED CRIMP DIE: .100"



RECOMMENDED STRIPPING DIMENSIONS

1	SHELL	1	BRASS	NICKEL, 100μ <sup>2</sup>	008974
2	BODY	1	BRASS	NICKEL, 100μ <sup>2</sup>	
3	GROUND RING	1	BRASS	NICKEL, 100μ <sup>2</sup>	
4	GASKET	1	SILICONE	----	
5	RETAINING RING	1	SST	----	
6	INSULATOR	1	PTFE	----	
7	WASHER	1	BRASS	NICKEL, 100μ <sup>2</sup>	
8	CLAMP	1	BRASS	NICKEL, 100μ <sup>2</sup>	
9	GASKET	1	SILICONE	----	
10	WASHER	1	BRASS	NICKEL, 100μ <sup>2</sup>	
11	NUT	1	BRASS	NICKEL, 100μ <sup>2</sup>	
12	PIN	1	BRASS	GOLD, 3μ <sup>2</sup>	
13					
14					
#	DESCRIPTION	QTY	MATRL	FINISH	APPROVALS

UNLESS OTHERWISE SPECIFIED:  
 1. REMOVE ALL BURRS  
 2. BREAK ALL CORNERS & EDGES .005 R. MAX.  
 3. CHAMFER 1ST & LAST THREADS 45°  
 4. SURFACE ROUGHNESS 63 FINISH MIL-STD-10  
 5. DIAMETERS ON COMMON CENTERS TO BE CONCENTRIC WITHIN .002 T.I.R.  
 6. ALL DIMENSIONS ARE AFTER PLATING.

DIMENSIONS ARE IN INCHES AND [MILLIMETERS]  
 UNLESS OTHERWISE NOTED TOLERANCES ARE:  
 DECIMALS .xxx±.003 [.08]  
 DIAMETER .xxx±.001 [.03]  
 .xx±.005 [.13]

**RF connectors**  
 DIVISION OF RF INDUSTRIES, LTD.

7610 MIRAMAR RD  
 SAN DIEGO, CA 92126  
 (858) 549-6340  
 (858) 549-6345 FAX

**N PLUG, CLAMP**

SIZE	CABLE GROUP	DWG NO.	REV
A	E	RFN-1002-1N	B

SCALE: NTS      CAD FILE OUTLINE      SHEET 1 OF 1