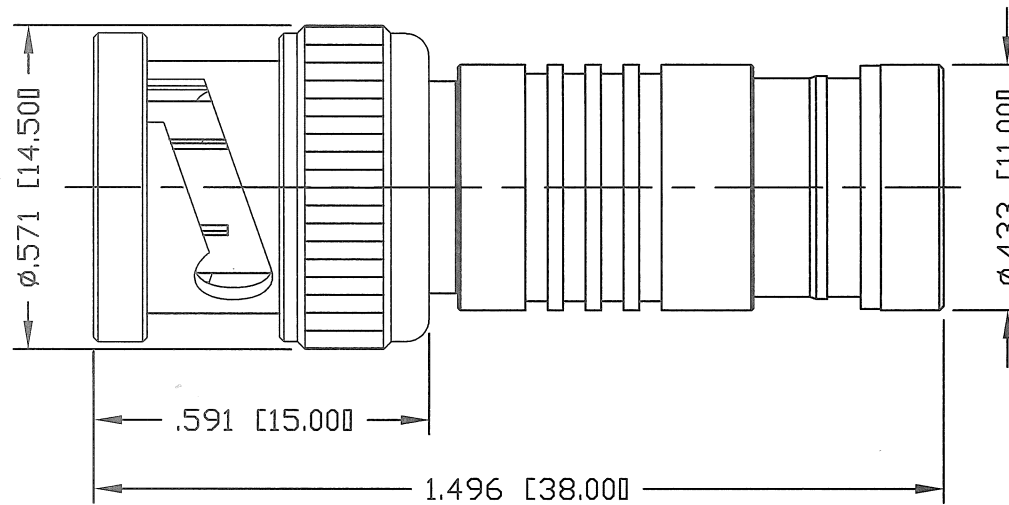


PART NO.

RFB-1704-D

REV	DESCRIPTION	ECO/ECN	DATE	APPROVED
-	ENGINEERING RELEASE	----	11/09/23	JDM

**SPECIFICATIONS:**

IMPEDANCE: 75 Ohms

FREQUENCY RANGE: 0-1 GHz

WORKING VOLTAGE: 500 V rms @ sea level

TEMPERATURE RANGE: -65°C TO 85°C

INSULATION RESISTANCE: 5k M Ohms min.

FOR RG-59, 59A, 59B, 62, 62A, 62C/U; ALPHA 9059, 9062,

9830, 9840, 9845; BELDEN 8221, 8241, 9169, 9204,

9228; CANARE LV-61S; CommScope 5555, 5560, 5563

11	COUPLING NUT	1	BRASS	NICKEL
10	SLEEVE	1	BRASS	NICKEL
9	INSULATOR	1	POM	NATURAL
8	GASKET	1	RUBBER	RED
7	FERRULE	1	BRASS	NICKEL
6	SPRING	1	SK85	NICKEL
5	RETAINING RING	1	SK85	NICKEL
4	WASHER	1	BRASS	NICKEL
3	PIN	1	BRASS	GOLD
2	INSULATOR	1	POM	NATURAL
1	BODY	1	BRASS	NICKEL
#	DESCRIPTION	QTY	MATERIAL	FINISH

CUSTOMER
OUTLINE DRAWINGALL DIMENSIONS
ARE REFERENCE ONLYUNLESS OTHERWISE SPECIFIED:
DIMENSIONS ARE IN INCHES
AND [MILLIMETERS]DRAWN
C. ZUÑIGA 11/09/23
CHECKEDORJ DRAWN
C. ZUÑIGA 11/09/23**RoHS**
COMPLIANT

PROPRIETARY AND CONFIDENTIAL

THIS DRAWING CONTAINS
INFORMATION PROPRIETARY TO
RF INDUSTRIES, ANY
UNAUTHORIZED USE OF THIS
DRAWING IS EXPRESSLY
PROHIBITED WITHOUT WRITTEN
PERMISSION FROM RF
INDUSTRIES. ANY VIOLATION IS
PUNISHABLE UNDER U.S.
COPYRIGHT LAWS.

RFconnectors
DIVISION OF RF INDUSTRIES, LTD. SAN DIEGO, CALIFORNIA

RFINDUSTRIES.COM
(858) 549-6340
RFI@RFINDUSTRIES.COM

BNC MALE CRIMP
75 OHM COMPRESSION CONNECTOR

DWG #

RFB-1704-D

CABLE GROUP	CONTROL #	SCALE	FORMAT	SHEET	REVISION
D	000000	NTS	A	1 OF 1	-