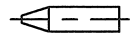
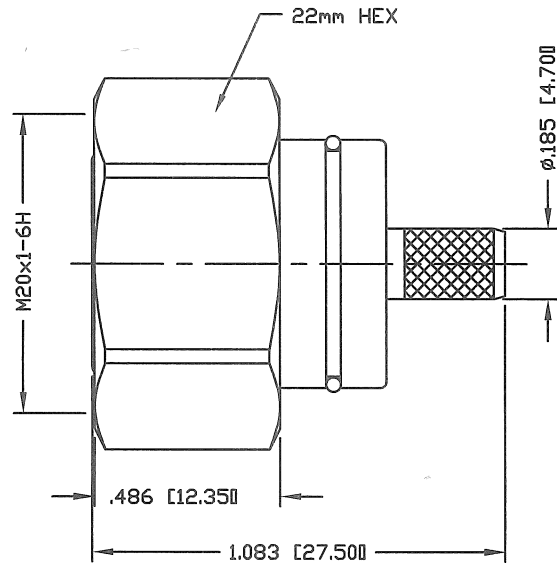


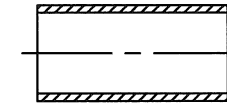
PART NO.

RFD-43MS-C1

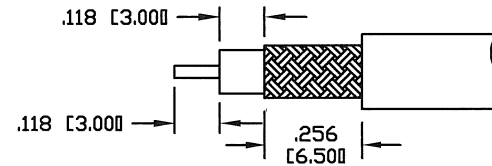
REV	DESCRIPTION	ECO/ECN	DATE	APPROVED
-	ENGINEERING RELEASE	----	11/21/23	JDM



SOLDER PIN



RECOMMENDED CRIMP DIE: .213"



RECOMMENDED STRIPPING DIMENSIONS

SPECIFICATIONS:

IMPEDANCE: 50 Ohms

FREQUENCY RANGE: 0-6 GHz

VSWR: 1.15 MAX.

DIELECTRIC WITHSTANDING VOLTAGE: 1000V

INSULATION RESISTANCE: 5000 MΩ

FOR RG-55, 55A, 55B, 142, 142A, 142B, 223 & 400/U,

ALPHA 9055, 9055B, 9223, BELDEN 8219, 83242 & 84142

#	DESCRIPTION	QTY	MATERIAL	FINISH
7	COUPLING NUT	1	BRASS	CuSnZn
6	FERRULE	1	BRASS	CuSnZn
5	O-RING	1	SI RUBBER	NATURAL
4	RETAINING RING	1	BRASS	CuSnZn
3	PIN	1	PHOSPHOR BRONZE	SILVER
2	INSULATOR	1	PTFE	NATURAL
1	BODY	1	BRASS	CuSnZn

CUSTOMER
OUTLINE DRAWINGALL DIMENSIONS
ARE REFERENCE ONLYUNLESS OTHERWISE SPECIFIED:
DIMENSIONS ARE IN INCHES
AND [MILLIMETERS]DRAWN
C. ZUÑIGA 11/21/23

CHECKED

ORJ DRAWN
C. ZUÑIGA 11/21/23**RoHS
COMPLIANT**

PROPRIETARY AND CONFIDENTIAL

THIS DRAWING CONTAINS
INFORMATION PROPRIETARY TO
RF INDUSTRIES, ANY
UNAUTHORIZED USE OF THIS
DRAWING IS EXPRESSLY
PROHIBITED WITHOUT WRITTEN
PERMISSION FROM RF
INDUSTRIES. ANY VIOLATION IS
PUNISHABLE UNDER U.S.
COPYRIGHT LAWS.**RFconnectors**

DIVISION OF RF INDUSTRIES, LTD. SAN DIEGO, CALIFORNIA

RFINDUSTRIES.COM
(858) 549-6340
RFI@RFINDUSTRIES.COM**4.3/10 MALE CRIMP**

FOR RG-142 CABLE

DWG #

RFD-43MS-C1

CABLE GROUP	CONTROL #	SCALE	FORMAT	SHEET	REVISION
C1	000000	NTS	A	1 OF 1	-