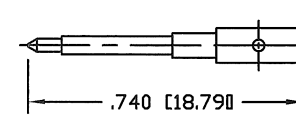
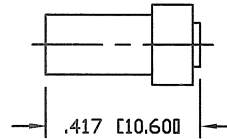
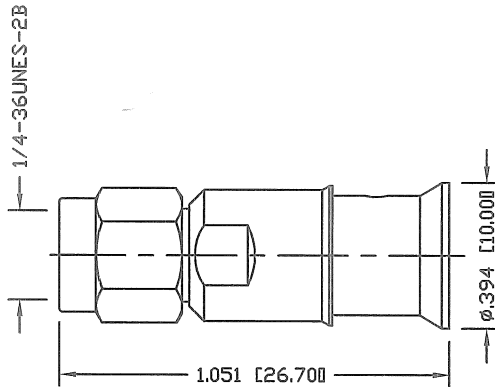
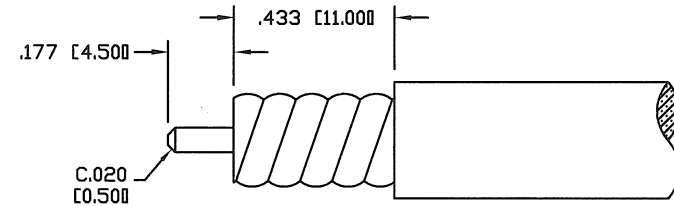
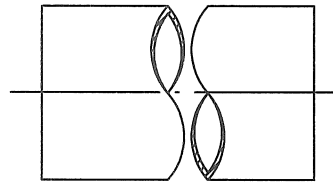


PART NO.

**RSA-3500-HPL**

REV	DESCRIPTION	ECO/ECN	DATE	APPROVED
A	UPDATED SPECS & DWG VIEWS	1028	03/14/24	JDM

**RECOMMENDED SOLDER ONLY****RECOMMENDED STRIPING DIMENSIONS****SPECIFICATIONS:**

INTERFACE: IEC61169-15

IMPEDANCE: 50 Ohms

FREQUENCY RANGE: 0-6 GHz

3rd ORDER IM:  $\leq -155$  dBc @ 700 MHz & 1900 MHz

3rd ORDER IM TEST METHOD: 2x43dBm CARRIERS

VSWR: &lt;1.1:1

INSERTION LOSS:  $< -0.1$  dB THRU 6 GHz

DIELECTRIC WITHSTANDING VOLTAGE: 1500 V/AC

INSULATION RESISTANCE: 10K M $\Omega$ 

TEMPERATURE RANGE: -40°C TO 155°C

MECHANICAL DURABILITY: 500 CYCLES

FOR SPP-250-LLPP, SPO-250, SCF14-50J, SPF-250,

FSJ1-50A, PTS1-50-P, TFT-401, EC1-50-HF

8	TUBING	1	HEAT SHRINK	BLACK
7	SHELL	1	BRASS	CuSnZn
6	SPACER	1	PTFE	NATURAL
5	RETAINING RING	1	BERYLLIUM COPPER	CuSnZn
4	GASKET	1	RUBBER	---
3	PIN	1	BRASS	SILVER
2	INSULATOR	1	PTFE	NATURAL
1	BODY	1	BRASS	CuSnZn
#	DESCRIPTION	QTY	MATERIAL	FINISH

CUSTOMER  
OUTLINE DRAWINGALL DIMENSIONS  
ARE REFERENCE ONLYUNLESS OTHERWISE SPECIFIED:  
DIMENSIONS ARE IN INCHES  
AND [MILLIMETERS]DRAWN  
C. ZUÑIGA 03/14/24

CHECKED

ORJ DRAWN  
C. ZUÑIGA 03/16/15ALL PIM TESTED CABLE ASSEMBLIES  
DATA CAN BE FOUND ON OUR  
WEB PAGE RFINDUSTRIES.COM  
USING THE SERIAL NUMBER INSIDE  
OUR PIM TRACKER DATA BASEPROPRIETARY AND CONFIDENTIAL  
THIS DRAWING CONTAINS  
INFORMATION PROPRIETARY TO  
RF INDUSTRIES. ANY  
UNAUTHORIZED USE OF THIS  
DRAWING IS EXPRESSLY  
PROHIBITED WITHOUT WRITTEN  
PERMISSION FROM RF  
INDUSTRIES. ANY VIOLATION IS  
PUNISHABLE UNDER U.S.  
COPYRIGHT LAWS.

**RFconnectors**  
DIVISION OF RF INDUSTRIES, LTD. SAN DIEGO, CALIFORNIA

RFINDUSTRIES.COM  
(858) 549-6340  
RF@RFINDUSTRIES.COM

**SMA PLUG SOLDER**  
FOR 1/4" SUPER FLEX CABLE

DWG # **RSA-3500-HPL**

CABLE GROUP	CONTROL #	SCALE	FORMAT	SHEET	REVISION
HPL	001787	NTS	A	1 OF 1	A