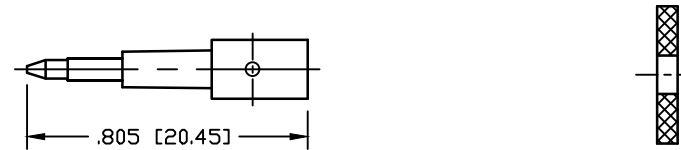
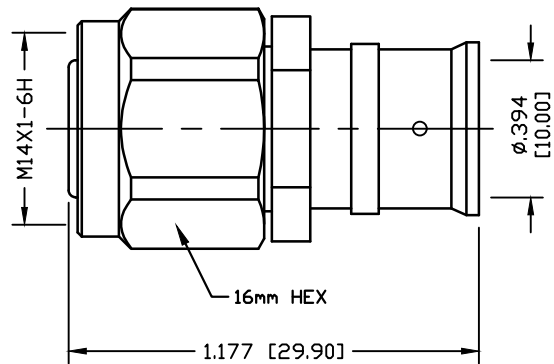


PART NO.

RFD-225M-H8

REV	DESCRIPTION	ECO/ECN	DATE	APPROVED
-	ENGINEERING RELEASE	----	07/28/23	JDM

SOLDER ONLYSPECIFICATIONS:

INTERFACE: IEC61169-54

IMPEDANCE: 50 Ohms

FREQUENCY RANGE: 0-6 GHz

INSERTION LOSS(dB): $0.05 + .01 \times \sqrt{f}(\text{GHz})$

VSWR: <1.25:1 THRU 3 GHz

VSWR: <1.35:1 THRU 6 GHz

3rd ORDER IM: $\leq -160 \text{ dBc} @ 700 \text{ MHz} \ \& \ 1900 \text{ MHz}$

3rd ORDER IM TEST METHOD: 2x43 dBm CARRIERS

VOLTAGE RATING: 500 VRMSIN

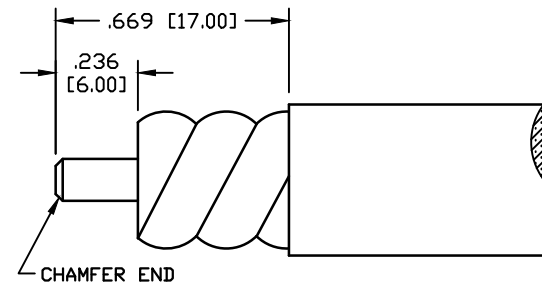
INSULATION RESISTANCE: 5000 MΩ MIN

DIELECTRIC WITHSTANDING VOLTAGE: 2000 VRMS MIN.

TEMPERATURE RANGE: -40°C TO 85°C

MATING CYCLES: 100 MIN

FOR FSJ2-50, LCF38-50J, SCF38-50J, SPF-375, SPO-375 & SPP-375 CABLE

RECOMMENDED STRIPING DIMENSIONS

7	COUPLING NUT	1	BRASS	CuSnZn
6	O-RING	1	RUBBER	RED
5	C-RING	1	SST	CuSnZn
4	SPACER	1	PTFE	NATURAL
3	PIN	1	BRASS	SILVER
2	INSULATOR	1	PTFE	NATURAL
1	BODY	1	BRASS	CuSnZn
#	DESCRIPTION	QTY	MATERIAL	FINISH

CUSTOMER
OUTLINE DRAWINGALL DIMENSIONS
ARE REFERENCE ONLYUNLESS OTHERWISE SPECIFIED:
DIMENSIONS ARE IN INCHES
AND [MILLIMETERS]DRAWN
C. ZUÑIGA 07/28/23

CHECKED

ORJ DRAWN
C. ZUÑIGA 07/28/23R o HS
COMPLIANT

PROPRIETARY AND CONFIDENTIAL

THIS DRAWING CONTAINS INFORMATION PROPRIETARY TO RF INDUSTRIES, ANY UNAUTHORIZED USE OF THIS DRAWING IS EXPRESSLY PROHIBITED WITHOUT WRITTEN PERMISSION FROM RF INDUSTRIES. ANY VIOLATION IS PUNISHABLE UNDER U.S. COPYRIGHT LAWS.

RFconnectors RFINDUSTRIES.COM
(858) 549-6340
RFI@RFINDUSTRIES.COM
DIVISION OF RF INDUSTRIES, LTD. SAN DIEGO, CALIFORNIA

2.5/5 MALE SOLDER
FOR 3/8" SUPERFLEX CABLE

DWG # **RFD-225M-H8**

CABLE GROUP	CONTROL #	SCALE	FORMAT	SHEET	REVISION
H8	000000	NTS	A	1 OF 1	-