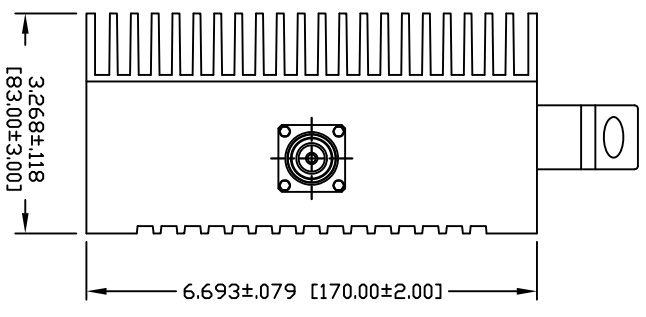
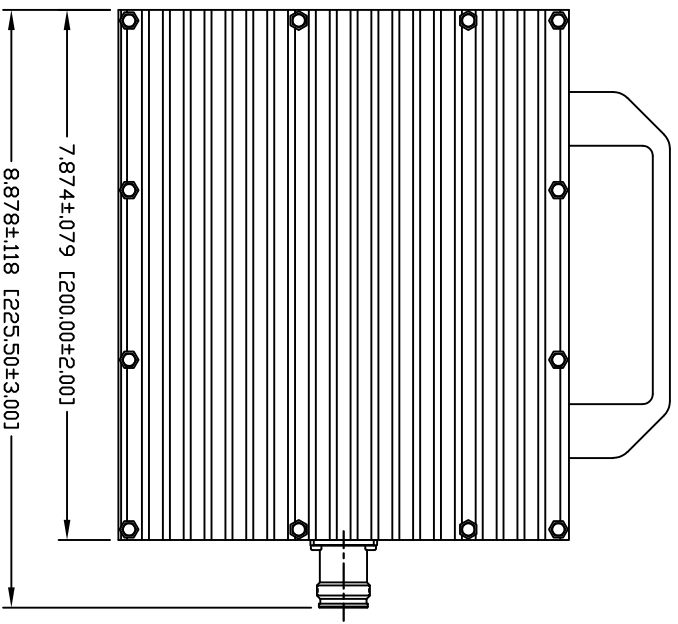


PART NO.		<b>R1LOAD-43F150</b>		
REV	DESCRIPTION	DWN	DATE	APPROVED
-	ENGINEERING RELEASE	CZS	10/25/22	JDMc



**SPECIFICATIONS:**

IMPEDANCE: 50 Ohms  
 OPERATION FREQUENCY BAND: 600-2700 MHZ  
 3RD ORDER IM: <-160 dBc (RELATIVE TO CARRIER)  
 3RD ORDER IM TEST METHOD: 2x43 dBm CARRIERS  
 VSWR: <1.25:1  
 AVERAGE POWER: 150 WATT  
 TEMPERATURE RANGE: -35°C ~ +75°C  
 REGULATORY COMPLIANCE/CERTIFICATIONS: IP65  
 COLOR: BLACK  
 WEIGHT: 7.7 lbs APPROX.

CUSTOMER OUTLINE DRAWING	
ALL DIMENSIONS ARE REFERENCE ONLY	
UNLESS OTHERWISE SPECIFIED: DIMENSIONS ARE IN INCHES AND [MILLIMETERS]	
DRAWN C. ZUNIGA	10/25/22
CHECKED	
ORD DRAWN C. ZUNIGA	10/25/22

**ROHS COMPLIANT**

PROPRIETARY AND CONFIDENTIAL  
 THIS DRAWING CONTAINS INFORMATION PROPRIETARY TO RF INDUSTRIES, ANY UNAUTHORIZED USE OF THIS DRAWING IS EXPRESSLY PROHIBITED WITHOUT WRITTEN PERMISSION FROM RF INDUSTRIES. ANY VIOLATION IS PUNISHABLE UNDER U.S. COPYRIGHT LAWS.

**RF Connectors**  
 DIVISION OF RF INDUSTRIES, LTD. (858) 549-6345 FAX

7610 MIRAMAR RD.  
 SAN DIEGO, CA 92126  
 (858) 549-6340

**150 WATT TERMINATION LOAD**  
**4.3-10 FEMALE - 600-2700 MHZ**

SIZE	CABLE GROUP	DWG NO.	REVISION
A	N/A	<b>R1LOAD-43F150</b>	-

SCALE: NTS ENGINEERING ID: 000000 SHEET 1 OF 1

CONNECTOR WILL HAVE PROTECTIVE CAP ON