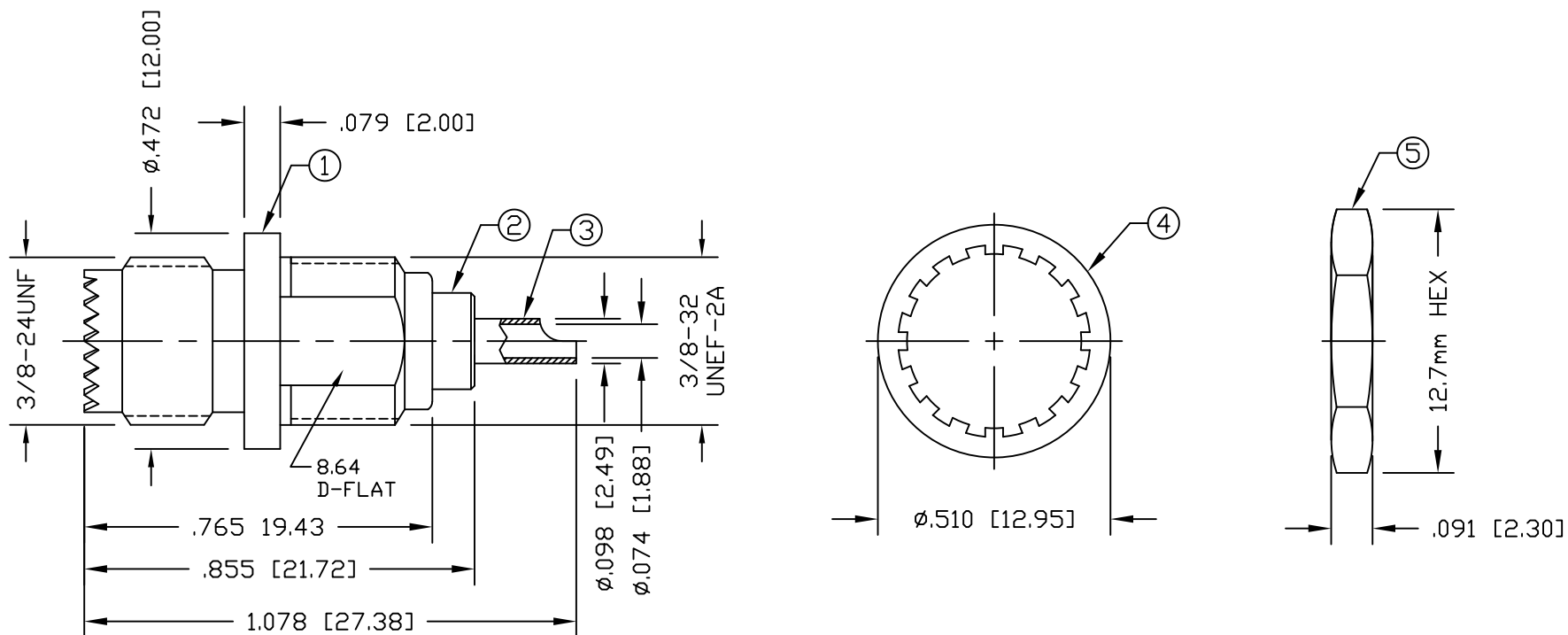


PART NO.

RFU-602

REV	DESCRIPTION	DWN	DATE	APPROVED
B	UPDATED CONECTOR'S DWG FORMAT, SPECS & DESIGN	CZS	06/01/16	JDMc

**SPECIFICATIONS:**

IMPEDANCE: 50 OHMS
 WORKING VOLTAGE: 335 VRMS @ SEA LEVEL
 FREQUENCY RANGE: 0-2.5 GHz

#	DESCRIPTION	QTY	MATERIAL	FINISH
5	HEX NUT	1	BRASS	NICKEL, 80 μ ⁿ
4	LOCK WASHER	1	BRASS	NICKEL, 80 μ ⁿ
3	CONTACT	1	BRASS	GOLD, 3 μ ⁿ
2	INSULATOR	1	PTFE	---
1	BODY	1	BRASS	NICKEL, 80 μ ⁿ

CUSTOMER
OUTLINE DRAWINGALL DIMENSIONS
ARE REFERENCE ONLYUNLESS OTHERWISE SPECIFIED:
DIMENSIONS ARE IN INCHES
AND [MILLIMETERS]DRAWN
C. ZUNIGA 06/01/16

CHECKED

ORJ DRAWN
C. ZUNIGA 12/1/99**RoHS
COMPLIANT**

PROPRIETARY AND CONFIDENTIAL
 THIS DRAWING CONTAINS
 INFORMATION PROPRIETARY TO
 RF INDUSTRIES. ANY
 UNAUTHORIZED USE OF THIS
 DRAWING IS EXPRESSLY
 PROHIBITED WITHOUT WRITTEN
 PERMISSION FROM RF
 INDUSTRIES. ANY VIOLATION IS
 PUNISHABLE UNDER U.S.
 COPYRIGHT LAWS.

RFconnectors

7610 MIRAMAR RD.
 SAN DIEGO, CA 92126
 (858) 549-6340
 DIVISION OF RF INDUSTRIES, LTD. (858) 549-6345 FAX

MINI UHF JACK
BULKHEAD, FRONT MOUNT

SIZE	CABLE GROUP	DWG NO.	REV
A	N/A	RFU-602	B
SCALE:	ENGINEERING ID:	SHEET 1 OF 1	
NTS	000000		