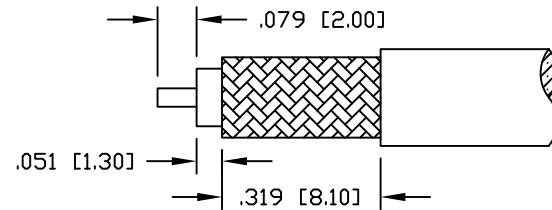
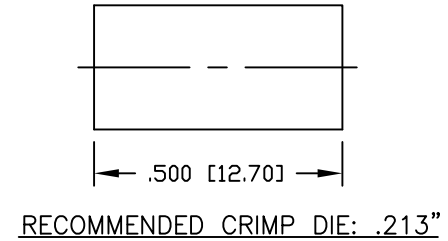
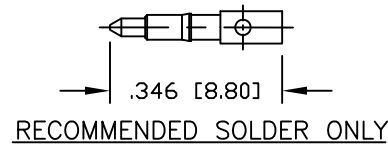
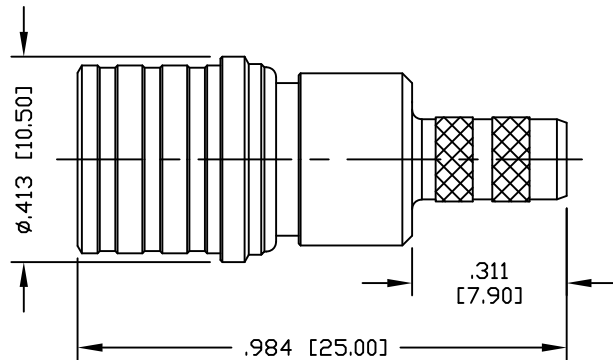


PART NO.		RQA-5000-C1		
REV	DESCRIPTION	DWN	DATE	APPROVED
A	UPGRADED CONNECTOR DESIGN, DWG FORMAT & SPECS	CZ	12/21/20	JDMc



RECOMMENDED STRIPING DIMENSIONS

SPECIFICATIONS:

IMPEDANCE: 50 Ohms
 FREQUENCY RANGE: 0-6 GHz
 INSULATION RESISTANCE: 5k MΩ min.
 TEMPERATURE RANGE: -65°C TO 165°C
 FOR RG-55, 55A, 55B, 142, 142A, 142B, 223 & 400/U,
 ALPHA 9055, 9055B, 9223, BELDEN 8219, 83242 & 84142 CABLES

6	COUPLING NUT	1	BRASS	CuSnZn
5	FERRULE	1	BRASS	CuSnZn
4	GROUND RING	1	PHOSPHOR BRONZE	CuSnZn
3	PIN	1	BRASS	GOLD
2	INSULATOR	1	PTFE	NATURAL
1	BODY	1	BRASS	CuSnZn
#	DESCRIPTION	QTY	MATERIAL	FINISH

CUSTOMER OUTLINE DRAWING	
ALL DIMENSIONS ARE REFERENCE ONLY	
UNLESS OTHERWISE SPECIFIED: DIMENSIONS ARE IN INCHES AND [MILLIMETERS]	
DRAWN C. ZUÑIGA	12/21/20
CHECKED	
ORJ DRAWN C. ZUÑIGA	03/09/04

RoHS COMPLIANT

PROPRIETARY AND CONFIDENTIAL
 THIS DRAWING CONTAINS INFORMATION PROPRIETARY TO RF INDUSTRIES, ANY UNAUTHORIZED USE OF THIS DRAWING IS EXPRESSLY PROHIBITED WITHOUT WRITTEN PERMISSION FROM RF INDUSTRIES. ANY VIOLATION IS PUNISHABLE UNDER U.S. COPYRIGHT LAWS.

RFconnectors
 DIVISION OF RF INDUSTRIES, LTD. (858) 549-6345 FAX

RFINDUSTRIES.COM
 7610 MIRAMAR RD.
 SAN DIEGO, CA 92126
 (858) 549-6340

QMA CRIMP PLUG

DWG # **RQA-5000-C1**

CABLE GROUP C1	CONTROL # 000000	SCALE NTS	FORMAT A	SHEET 1 OF 1	REVISION A
-------------------	---------------------	--------------	-------------	-----------------	---------------