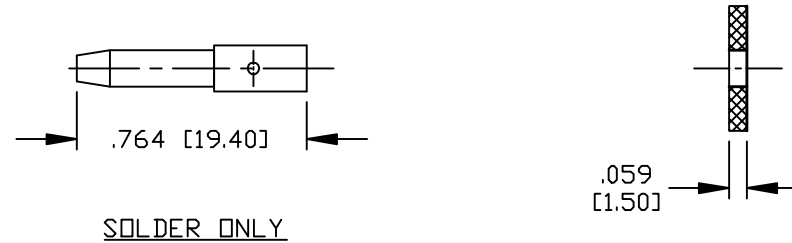
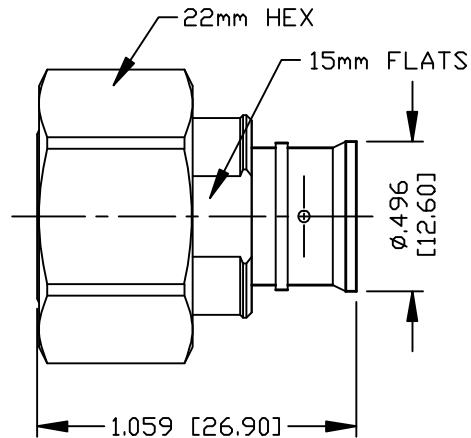


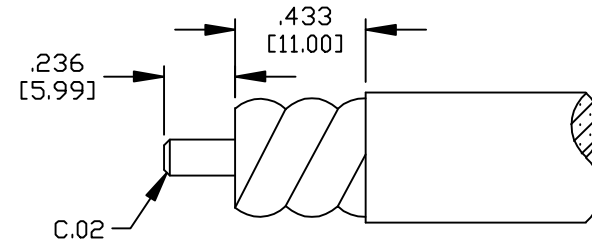
PART NO.

**RFD-43MDS-H8**

REV	DESCRIPTION	DWN	DATE	APPROVED
A	UPDATED SPECS	DM	10/22/20	JDM

SPECIFICATIONS:

INTERFACE: IEC61169-54  
 IMPEDANCE: 50 Ohms  
 FREQUENCY RANGE: 0-6 GHz  
 RETURN LOSS: 30 dB, DC-700 MHz  
 RETURN LOSS: 26 dB, 700-3500 MHz  
 RETURN LOSS: 21 dB, 3500-6000 MHz  
 INSERTION LOSS: -0.1 dB MAX  
 3rd ORDER IM: <-161 dBc  
 3rd ORDER IM TEST METHOD 2x43 dBm CARRIERS  
 VOLTAGE RATING: 500V RMS MAX  
 DIELECTRIC WITHSTANDING VOLTAGE: 2500 VRMS MAX  
 INSULATION RESISTANCE: 5000 MΩ MIN  
 MATING CYCLES: >100  
 COUPLING TORQUE: 5 Nm  
 TEMPERATURE RANGE: -55° TO 90° C  
 ENVIRONMENTAL: IP68 MATED  
 COMPLIANCE: RoHS  
 NET WEIGHT: 0.1 lb  
 FOR FSJ2-50, LCF38-50J, LDF2-50, SCF38-50J, SPF-375,  
 SPO-375 & SPP-375 CABLE

RECOMMENDED STRIPING DIMENSIONS

#	DESCRIPTION	QTY	MATERIAL	FINISH
6	COUPLING NUT	1	BRASS	CuSnZn Alloy
5	PRESS CAP	1	BRASS	CuSnZn Alloy
4	GASKET	1	SILICONE	RED
3	PIN	1	BRASS	SILVER
2	INSULATOR	1	PTFE	NATURAL
1	BODY	1	BRASS	CuSnZn Alloy

CUSTOMER  
OUTLINE DRAWING  
ALL DIMENSIONS  
ARE REFERENCE ONLY

UNLESS OTHERWISE SPECIFIED:  
DIMENSIONS ARE IN INCHES  
AND [MILLIMETERS]

DRAWN	DM	10/22/20
CHECKED		
ORJ DRAWN	C. ZUÑIGA	08/20/20

PROPRIETARY AND CONFIDENTIAL  
THIS DRAWING CONTAINS  
INFORMATION PROPRIETARY TO  
RF INDUSTRIES. ANY  
UNAUTHORIZED USE OF THIS  
DRAWING IS EXPRESSLY  
PROHIBITED WITHOUT WRITTEN  
PERMISSION FROM RF  
INDUSTRIES. ANY VIOLATION IS  
PUNISHABLE UNDER U.S.  
COPYRIGHT LAWS.

**RFconnectors**  
DIVISION OF RF INDUSTRIES, LTD.

RFINDUSTRIES.COM  
7610 MIRAMAR RD.  
SAN DIEGO, CA 92126  
(858) 549-6340  
(858) 549-6345 FAX

**4.3/10 MALE  
SOLDER, FOR 3/8" SUPERFLEX**

CABLE GROUP	DWG #	REVISION
H8	<b>RFD-43MDS-H8</b>	A
FORMAT	SCALE	CONTROL #
A	NTS	000000
		SHEET 1 OF 1