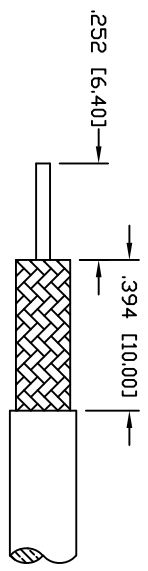
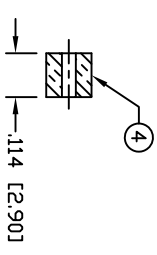
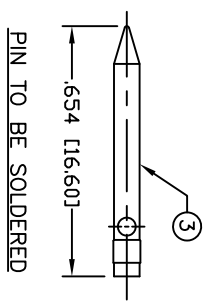
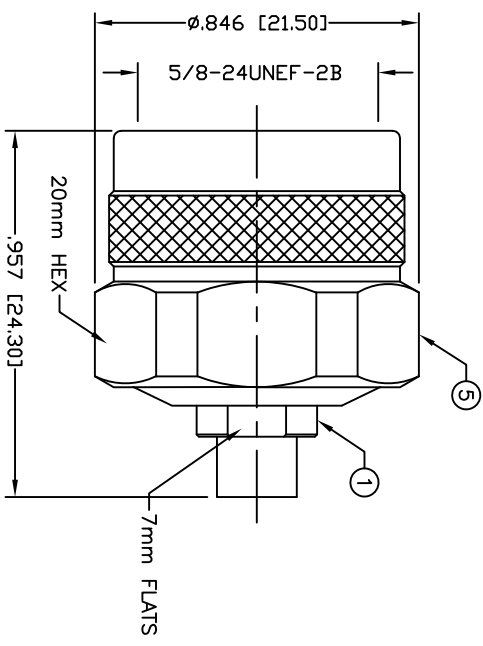


PART NO.		RFN-1002-SR2FL	
REV	DESCRIPTION	DWN	DATE
C	ADJUST PIN DESIGN, STRIPPING DIMENSIONS & SPECS	CZ	09/07/22
		JDMc	APPROVED

ASSEMBLY INSTRUCTIONS:

- Step 1: Cut end of cable evenly. Strip cable to dimensions as shown. All cuts are to be clean and square. Do not nick center conductor when cutting.
If using heat shrink tubing slide onto cable first.
- Step 2: Slide spacer and pin onto cable center conductor until it yields against the cable dielectric. Solder pin in place.
- Step 4: Insert the pin into the body until it yields against the back of the connector. Solder connector and cable outer conductor in place.



RECOMMENDED STRIPPING DIMENSIONS

SPECIFICATIONS:

INTERFACE: IEC61169-16
 IMPEDANCE: 50 Ohms
 FREQUENCY RANGE: 0-6 GHz
 VSWR: <1.15:1
 3rd ORDER IM: ≤ -155 dBc (RELATIVE TO CARRIER)
 3rd ORDER IM TEST METHOD: 2x43dBm CARRIERS
 DIELECTRIC WITHSTANDING VOLTAGE: 750 V/AC
 INSULATION RESISTANCE: 5k M Ω
 TEMPERATURE RANGE: -40°C TO 155°C
 DURABILITY: 500 CYCLES
 FOR TFT-402

#	DESCRIPTION	QTY	MATERIAL	FINISH
7	RETAINING RING	1	SST	PASSIVATED
6	GASKET	1	SI RUBBER	N/A
5	SHELL	1	BRASS	CuSnZn
4	SPACER	1	PTFE	NATURAL
3	PIN	1	BRASS	SILVER
2	INSULATOR	1	PTFE	NATURAL
1	BODY	1	BRASS	CuSnZn

CUSTOMER OUTLINE DRAWING
 ALL DIMENSIONS ARE IN INCHES AND [MILLIMETERS]
 UNLESS OTHERWISE SPECIFIED:
 DIMENSIONS ARE IN INCHES AND [MILLIMETERS]

DRAWN
 C. ZUÑIGA
 CHECKED

09/07/22

04/25/16



PROPRIETARY AND CONFIDENTIAL
 THIS DRAWING CONTAINS INFORMATION PROPRIETARY TO RF INDUSTRIES. ANY UNAUTHORIZED USE OF THIS DRAWING IS EXPRESSLY PROHIBITED WITHOUT WRITTEN PERMISSION FROM RF INDUSTRIES. ANY VIOLATION IS PUNISHABLE UNDER U.S. COPYRIGHT LAWS.

RF Connectors
 DIVISION OF RF INDUSTRIES, LTD. (858) 549-6345 FAX

RFINDUSTRIES.COM
 7610 MIRAMAR RD.
 SAN DIEGO, CA 92126
 (858) 549-6340

N PLUG, SOLDER
 FOR TFT-402

DWG #
RFN-1002-SR2FL

CABLE GROUP
 SR2

CONTROL #
 000000

SCALE
 NTS

FORMAT
 A

SHEET
 1 OF 1

REVISION
 C